

PARTS LIST

for

**MAYTAG®**

**COMMERCIAL  
ELECTRIC DRYER**

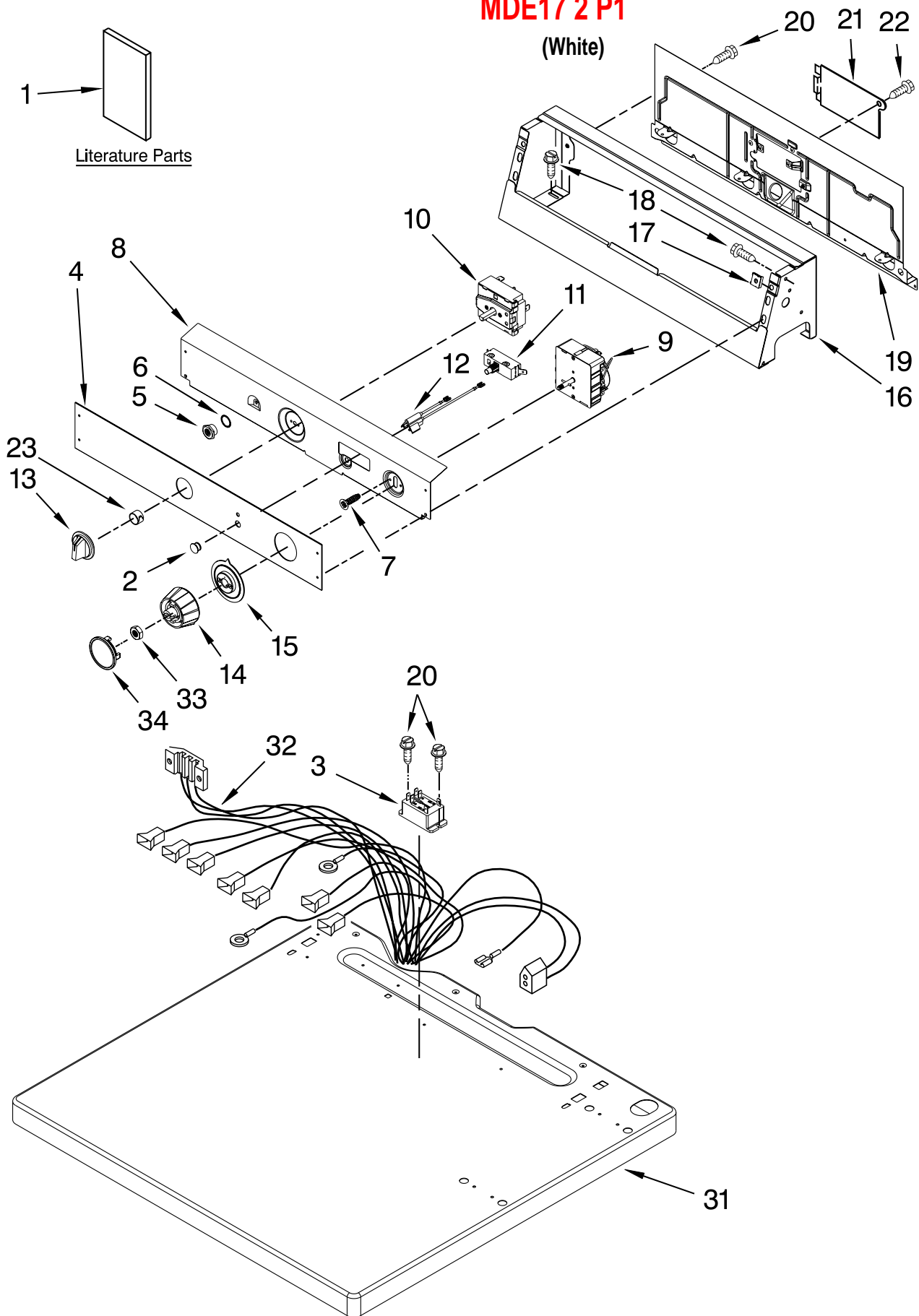
**MDE17 2**

Mod **MDE17MNAGW0**

# TOP AND CONSOLE PARTS

**MDE17 2 P1**

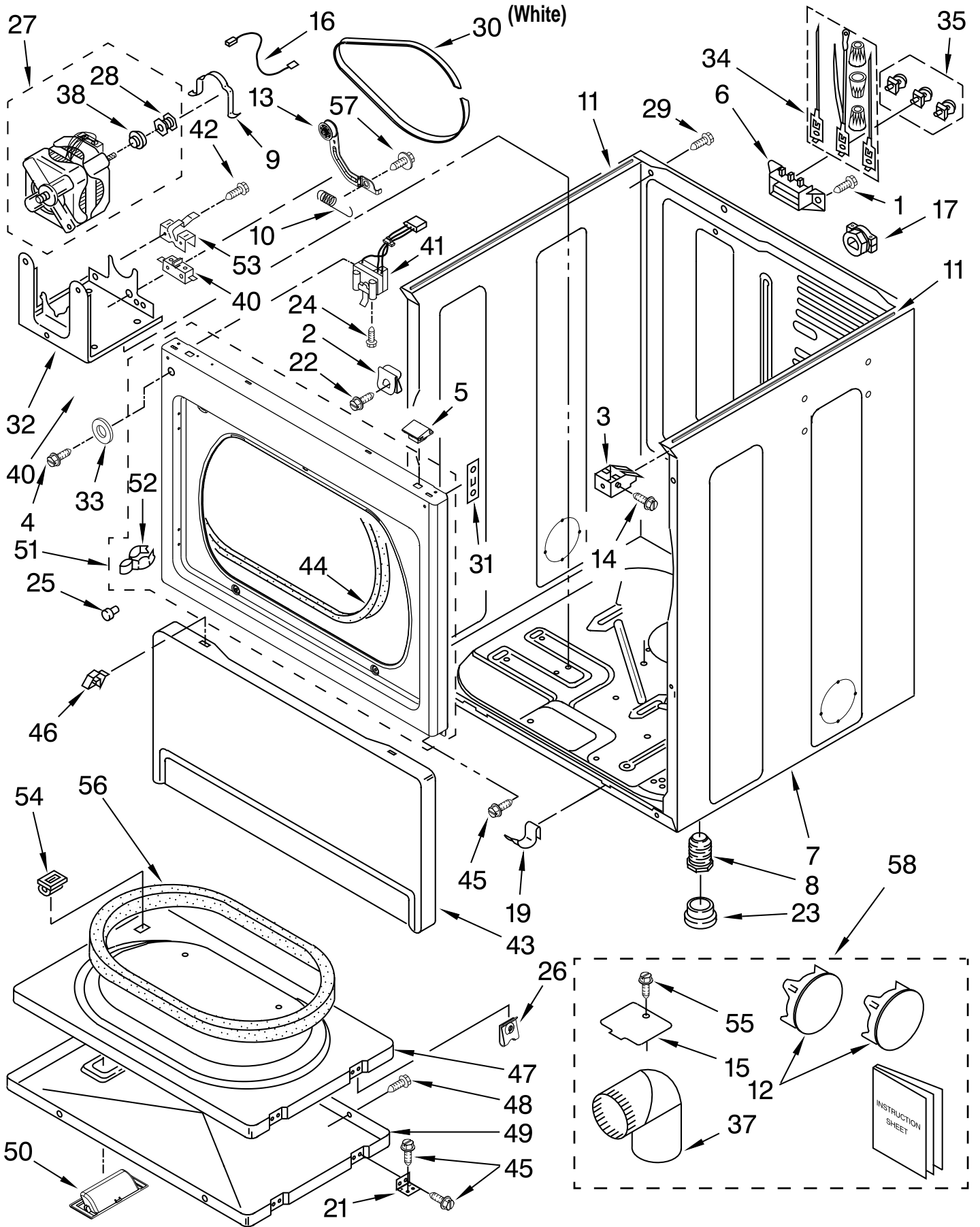
(White)



FOR ORDERING INFORMATION REFER TO PARTS PRICE LIST

# CABINET PARTS

**MDE17 2 P2**



FOR ORDERING INFORMATION REFER TO PARTS PRICE LIST

