

**Repair  
Parts  
List**

MODEL NUMBER  
MAT11MNAGW

**WASHER  
MAT11 1**

When requesting service or ordering parts, always provide the following information:

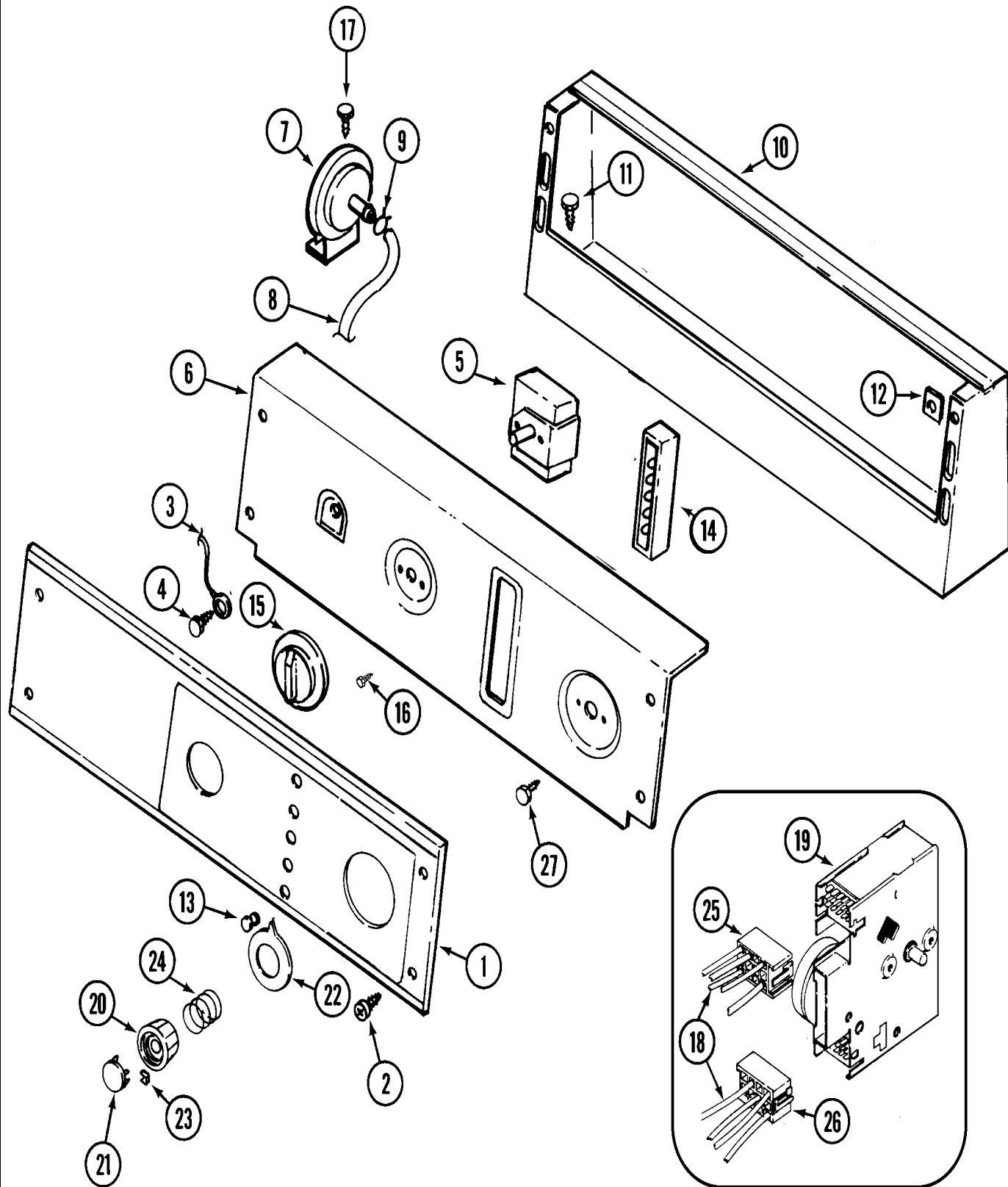
- Product Type
- Part Number
- Model Number
- Part Description

**MAYTAG**®

©2005 Maytag Services

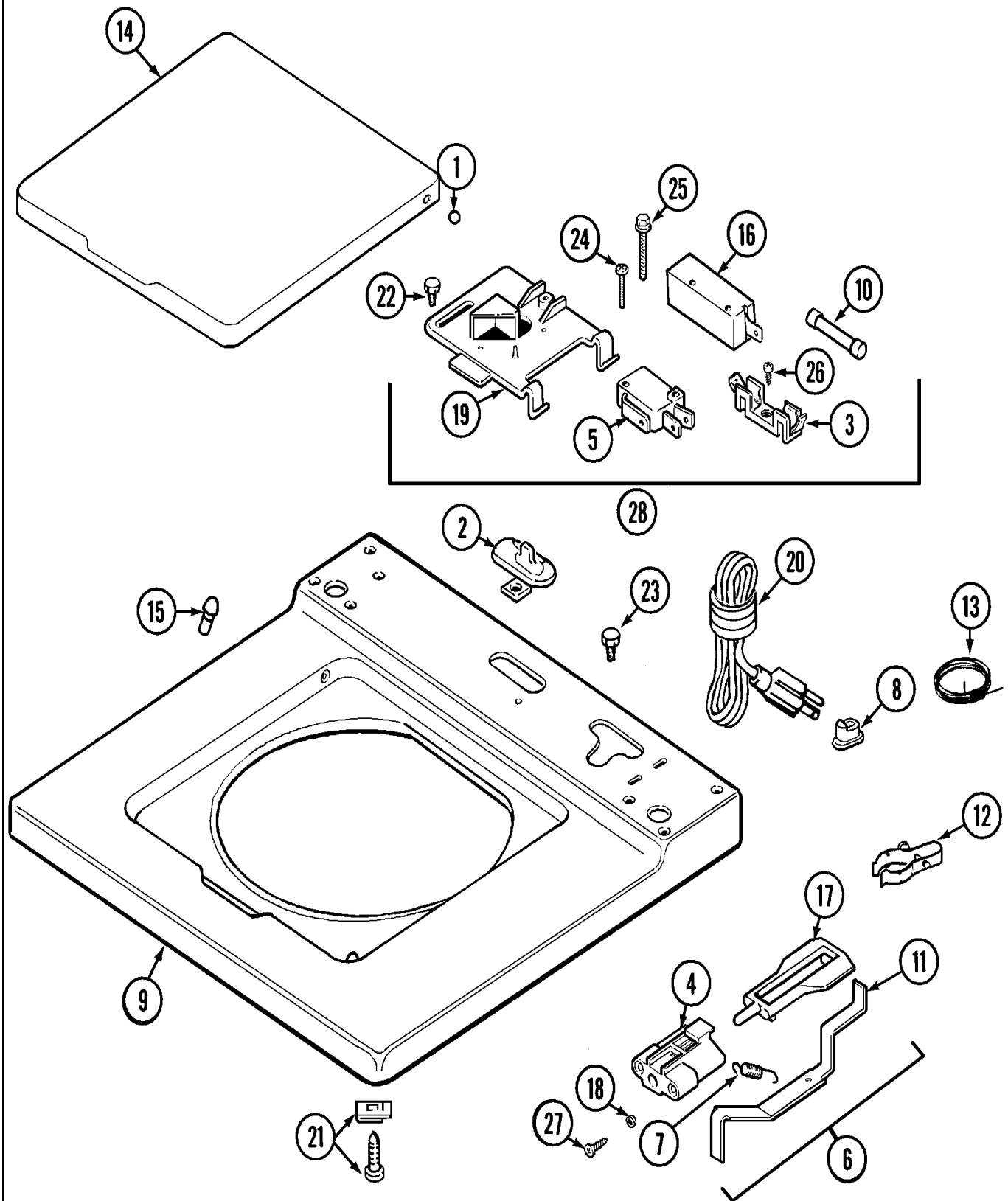
Section: CONTROL PANEL

**MAT11 1 P1**



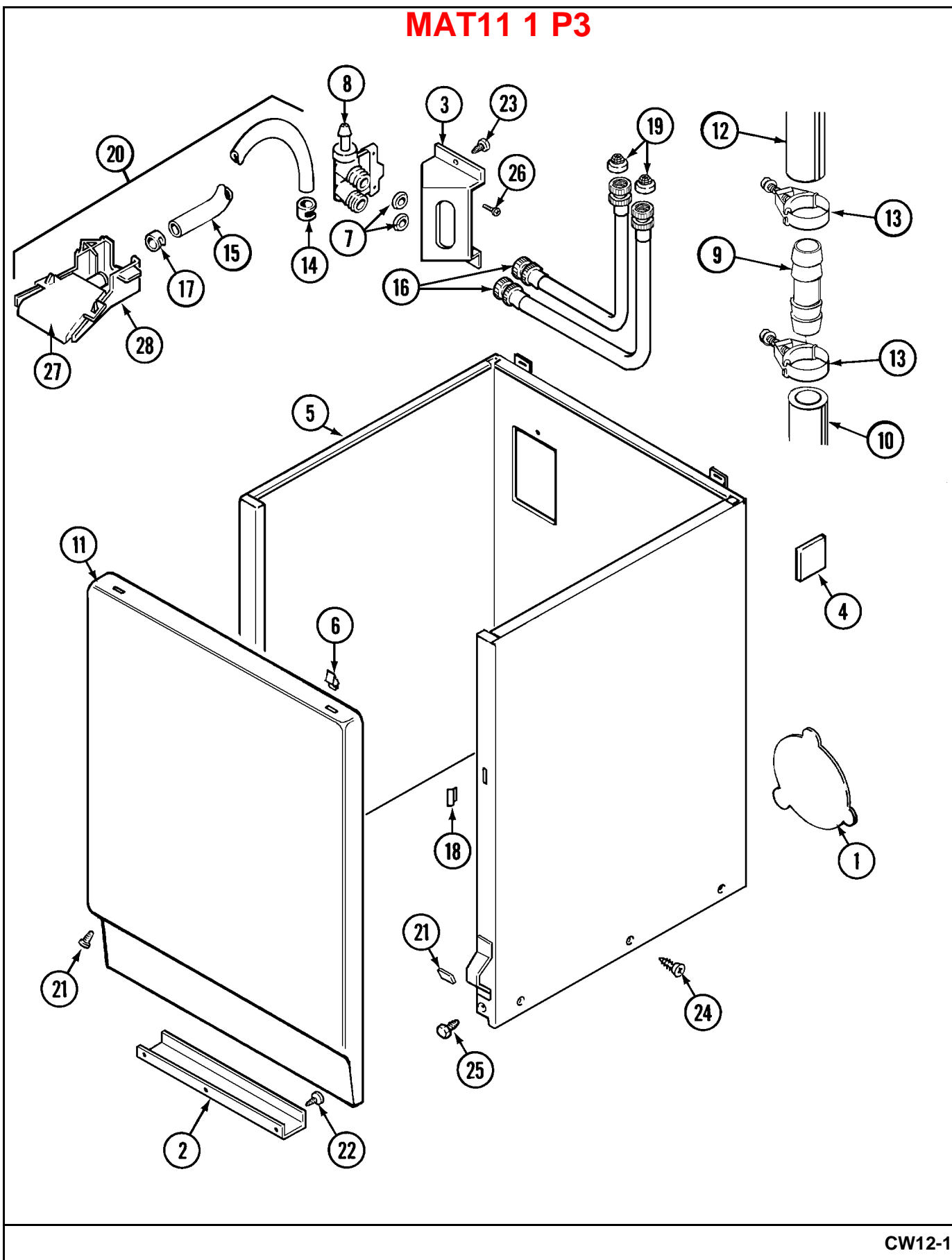
Section: TOP

**MAT11 1 P2**

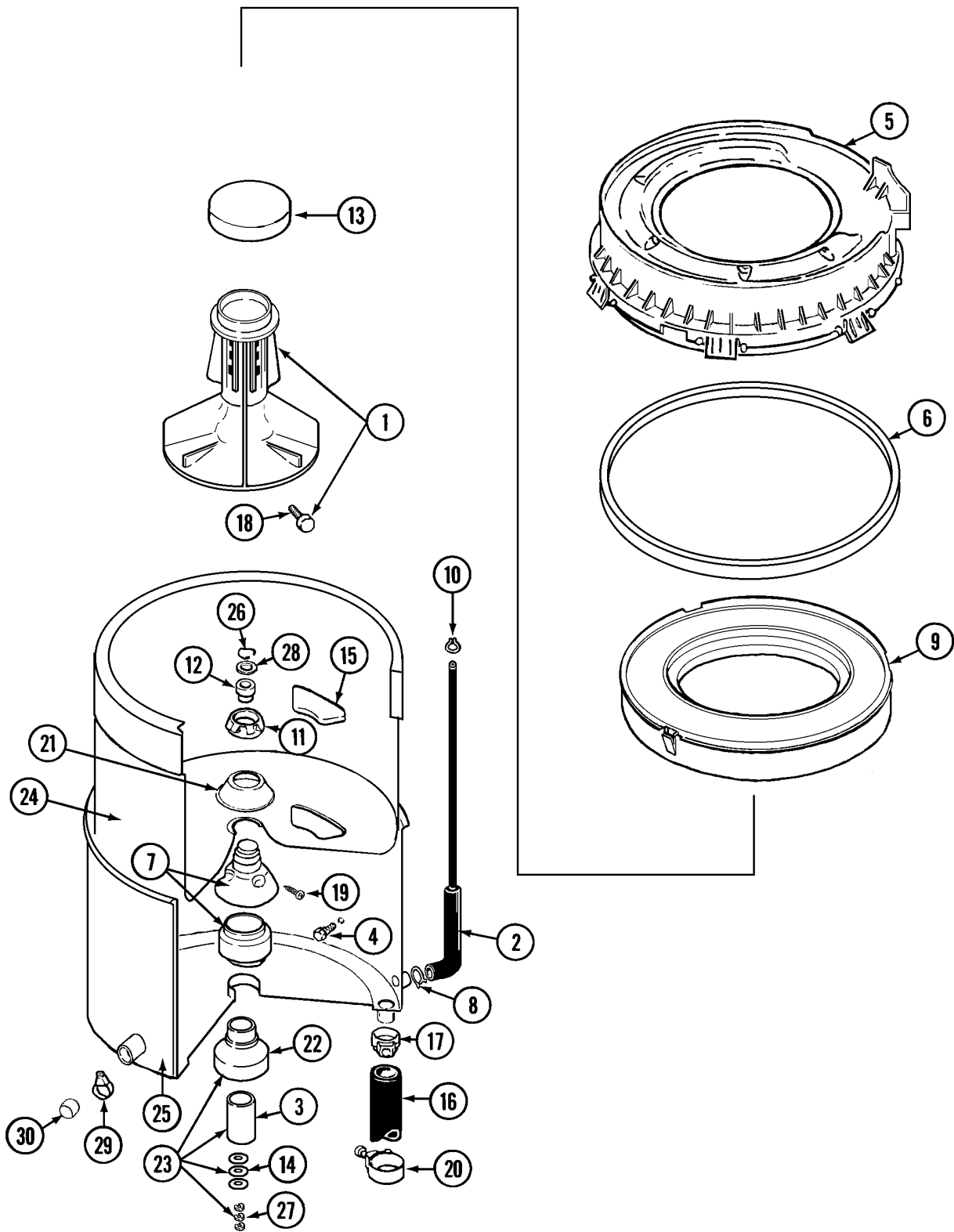


Section: CABINET

**MAT11 1 P3**

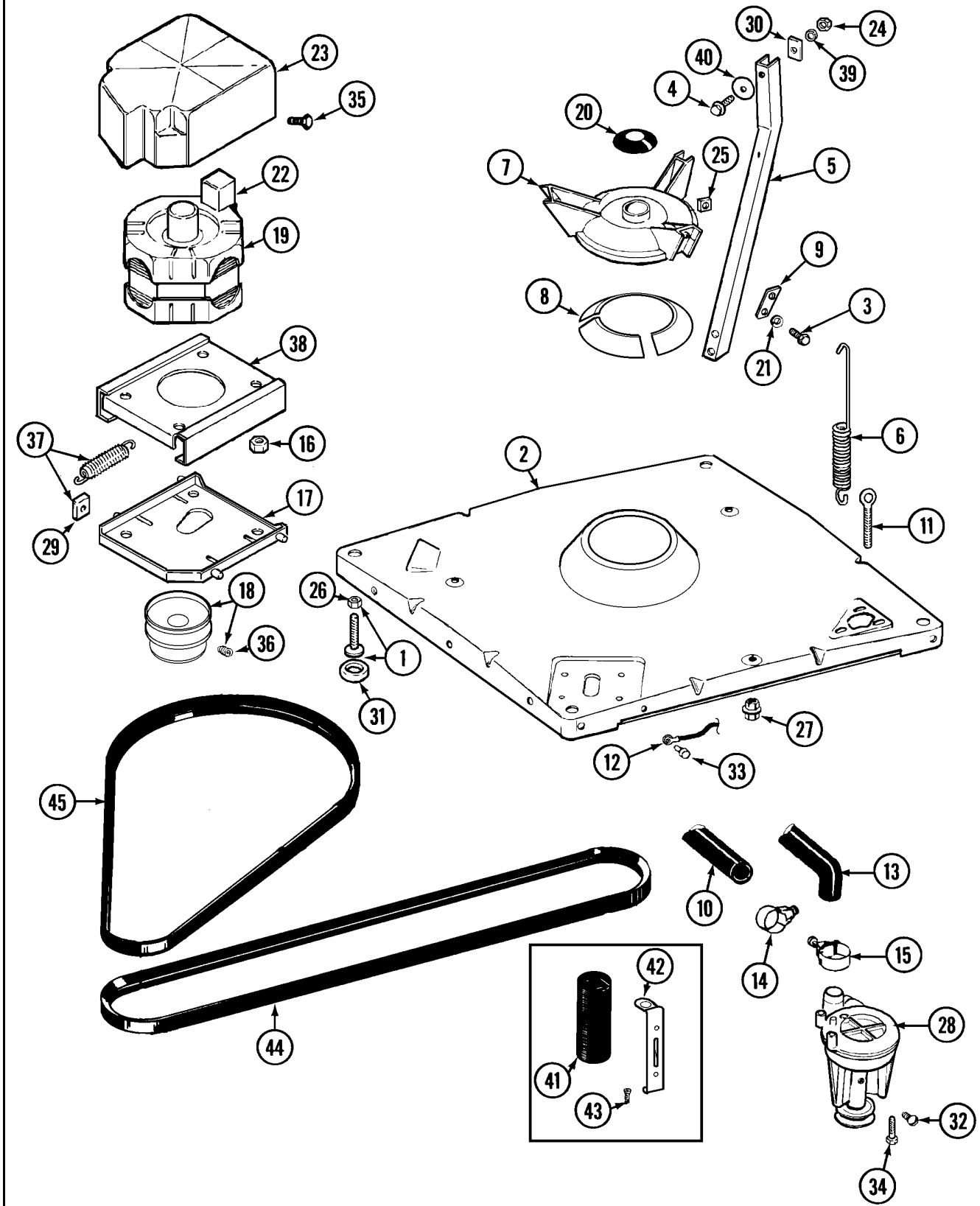


**MAT11 1 P4**

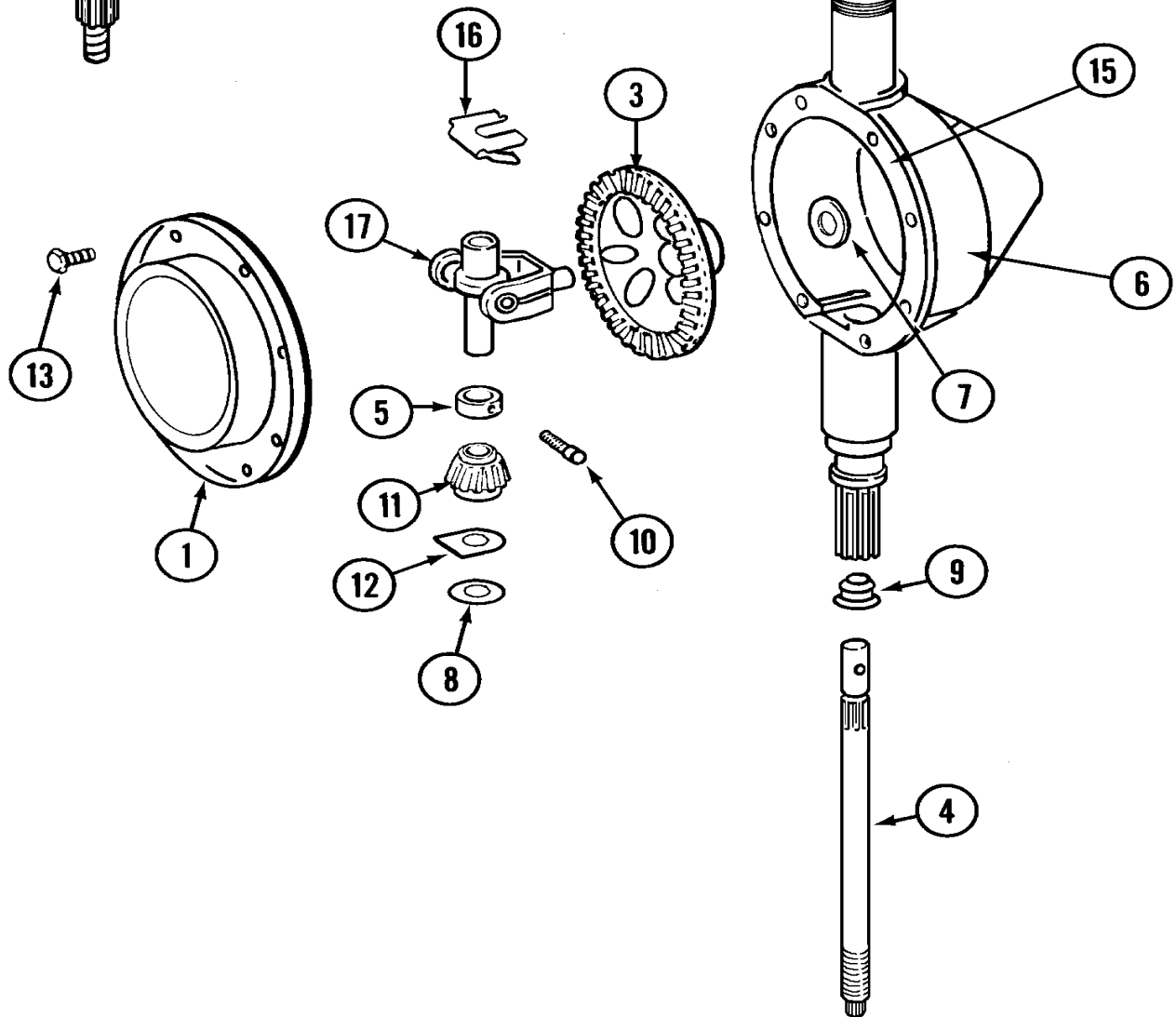
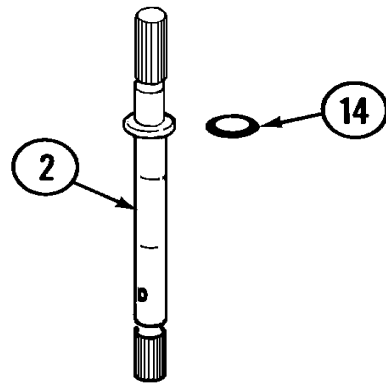
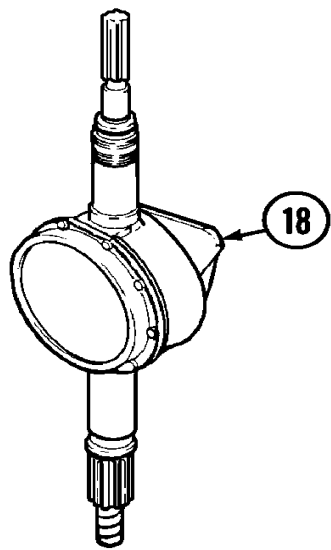


Section: BASE

**MAT11 1 P5**

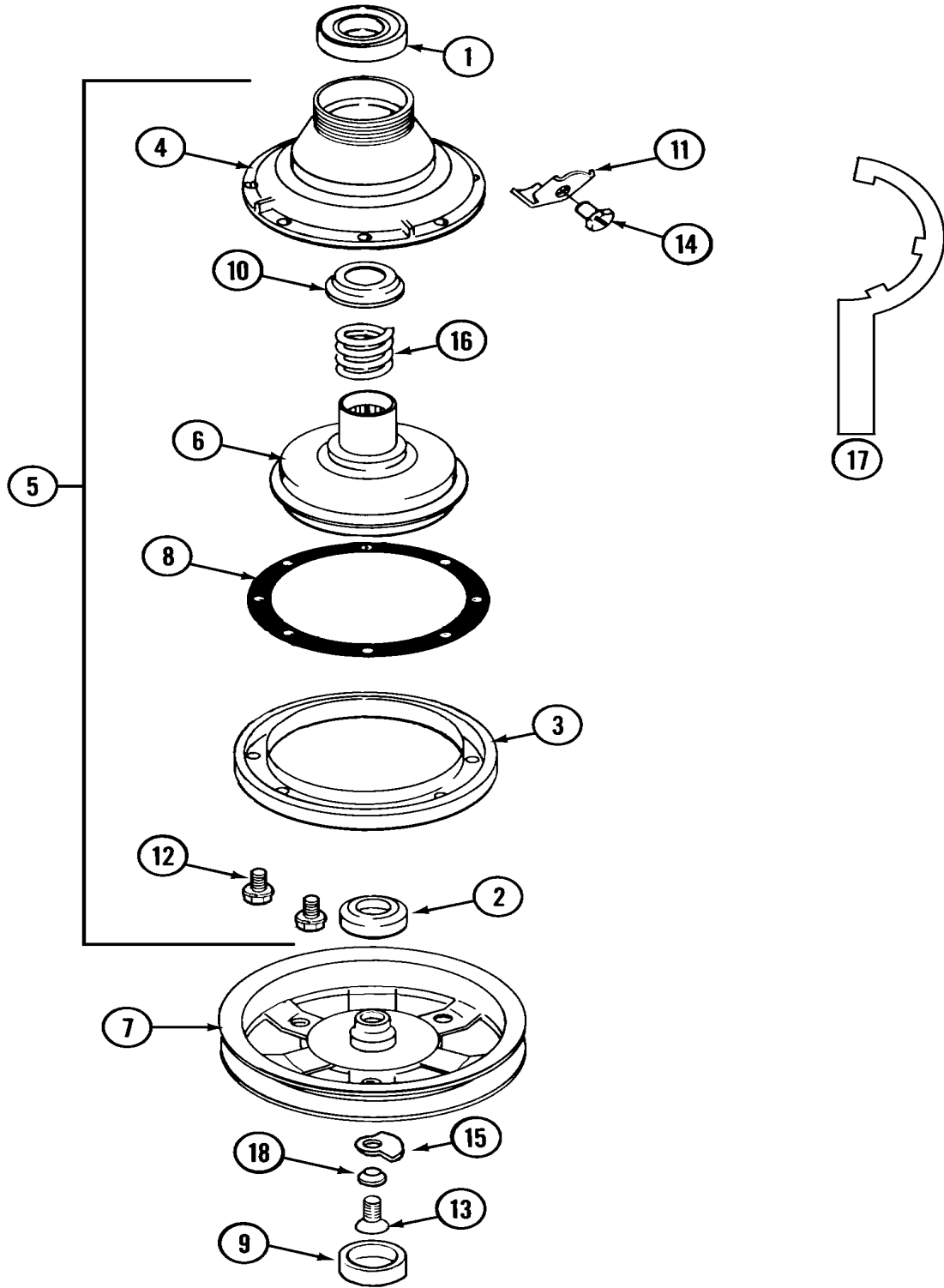


**MAT11 1 P6**



Section: CLUTCH, BRAKE & BELTS

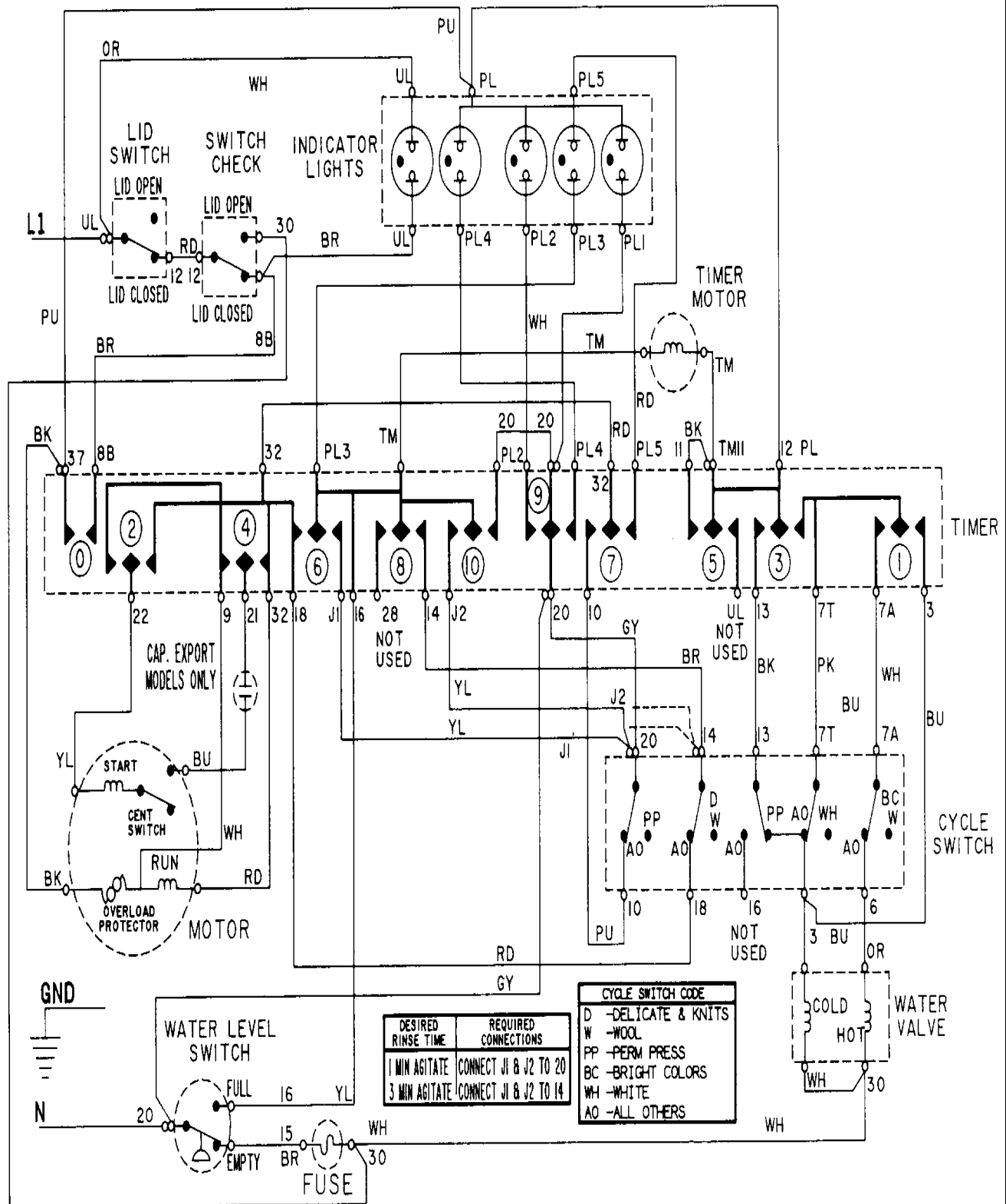
**MAT11 1 P7**





Section: WIRING INFORMATION

**MAT11 1 P8**



DESIRED RINSE TIME	REQUIRED CONNECTIONS
1 MIN AGITATE	CONNECT J1 & J2 TO 20
3 MIN AGITATE	CONNECT J1 & J2 TO 14

CYCLE SWITCH CODE	
D	-DELICATE & KNITS
W	-WOOL
PP	-PERM PRESS
BC	-BRIGHT COLORS
WH	-WHITE
AO	-ALL OTHERS