

**Repair  
Parts  
List**

MODEL NUMBER  
MAT10PDAAW

**WASHER  
MAT10 2**

When requesting service or ordering parts, always provide the following information:

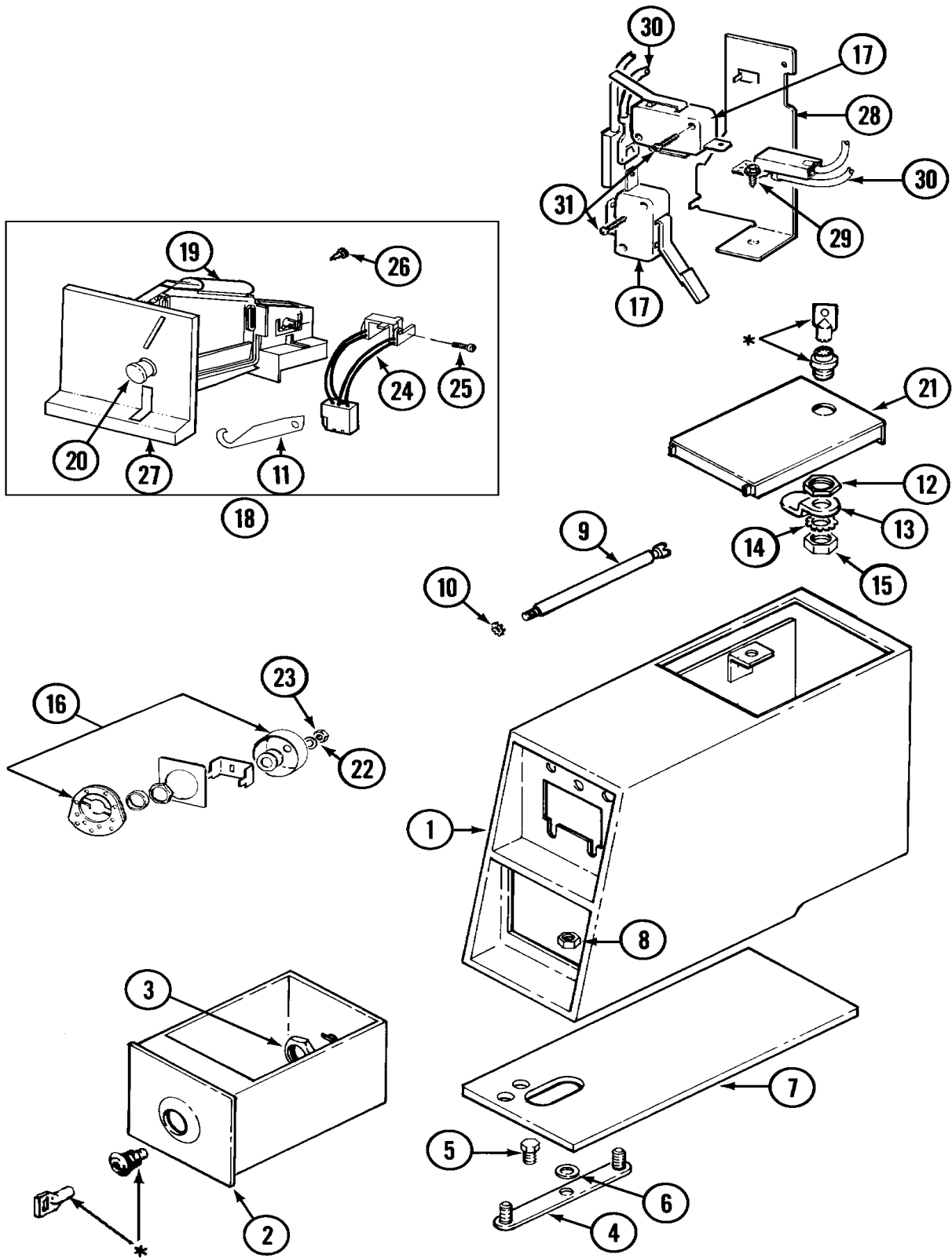
- **Product Type**
- **Part Number**
- **Model Number**
- **Part Description**

**MAYTAG**®

©2005 Maytag Services

Section: CONTROL CENTER

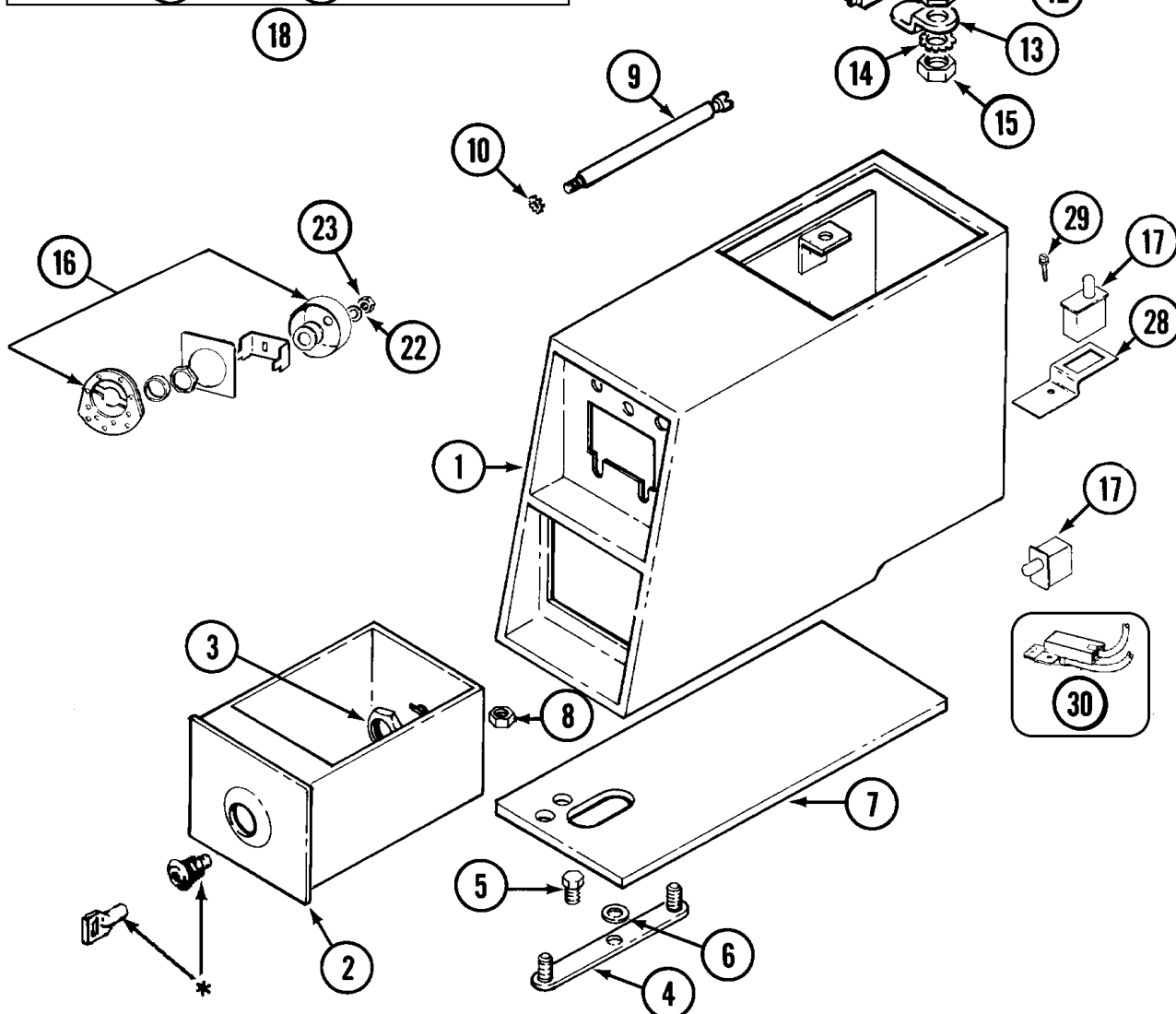
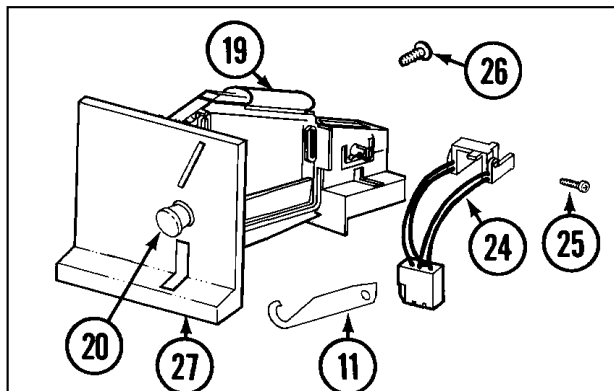
**MAT10 2 P1**



\* CONTACT YOUR COMMERCIAL LAUNDRY DISTRIBUTOR

Section: CONTROL CNTR (SERIAL SUFFIX KB & AFTER)

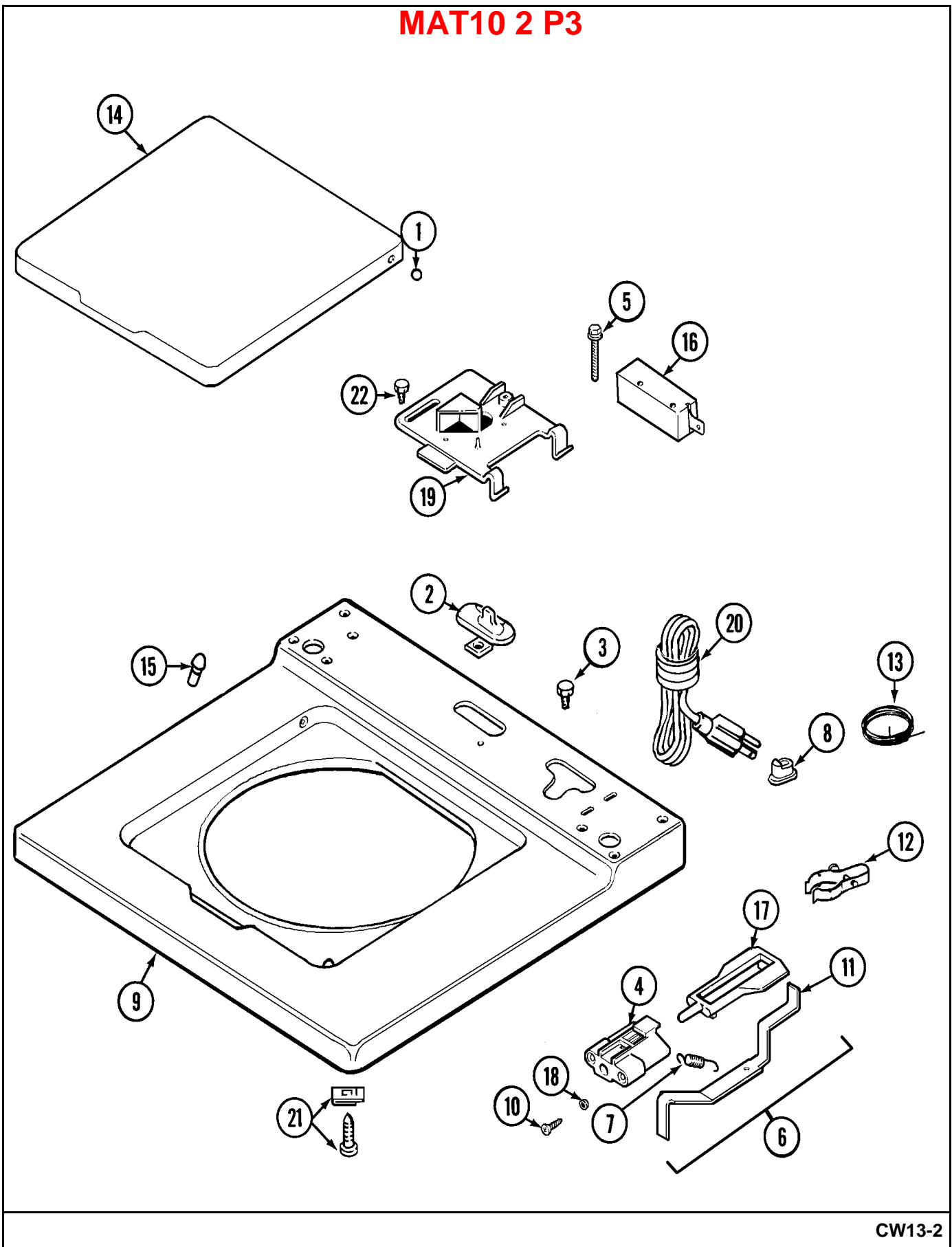
**MAT10 2 P2**



**\*CONTACT YOUR COMMERCIAL LAUNDRY DISTRIBUTOR**

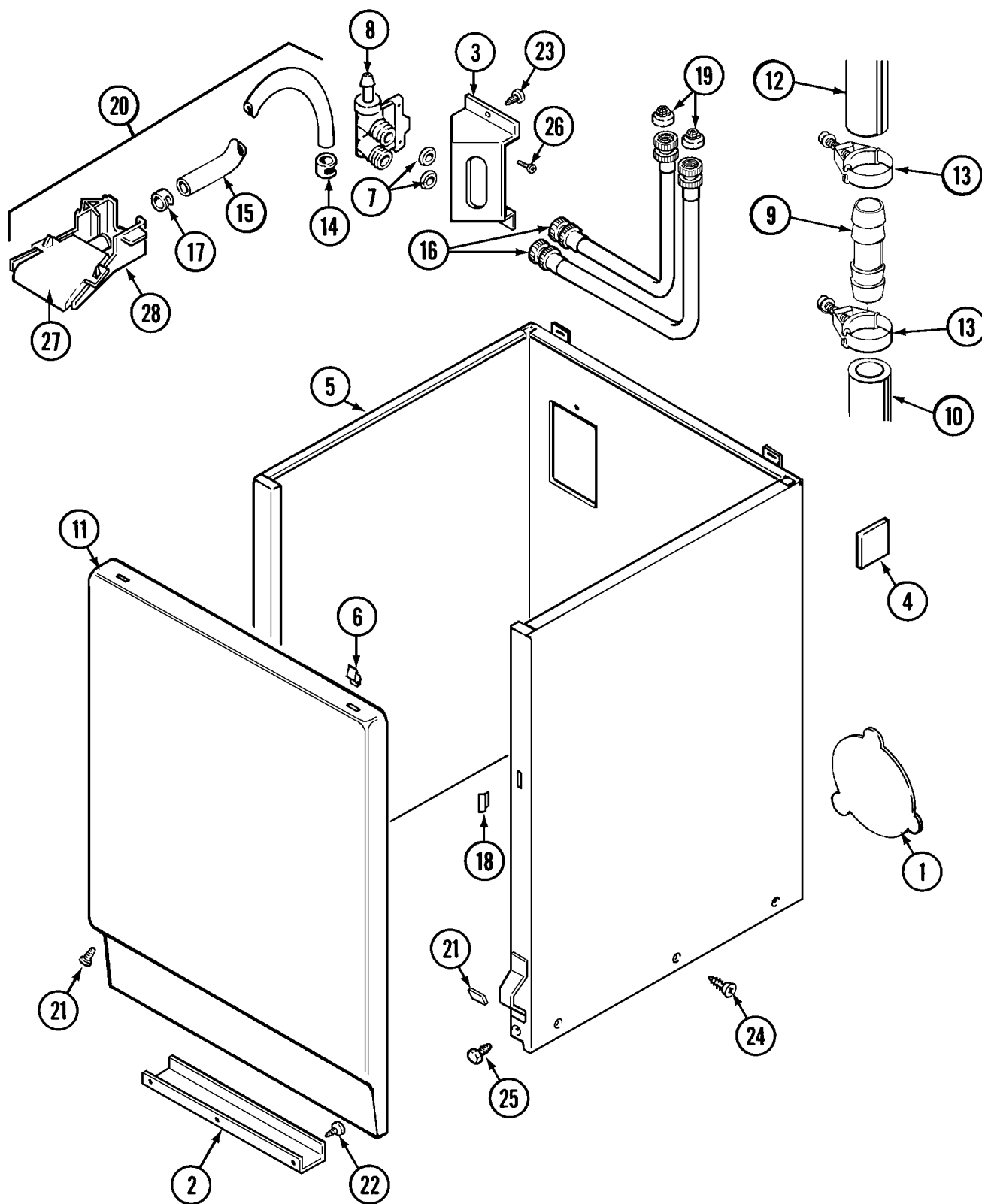
Section: TOP ASSEMBLY

**MAT10 2 P3**

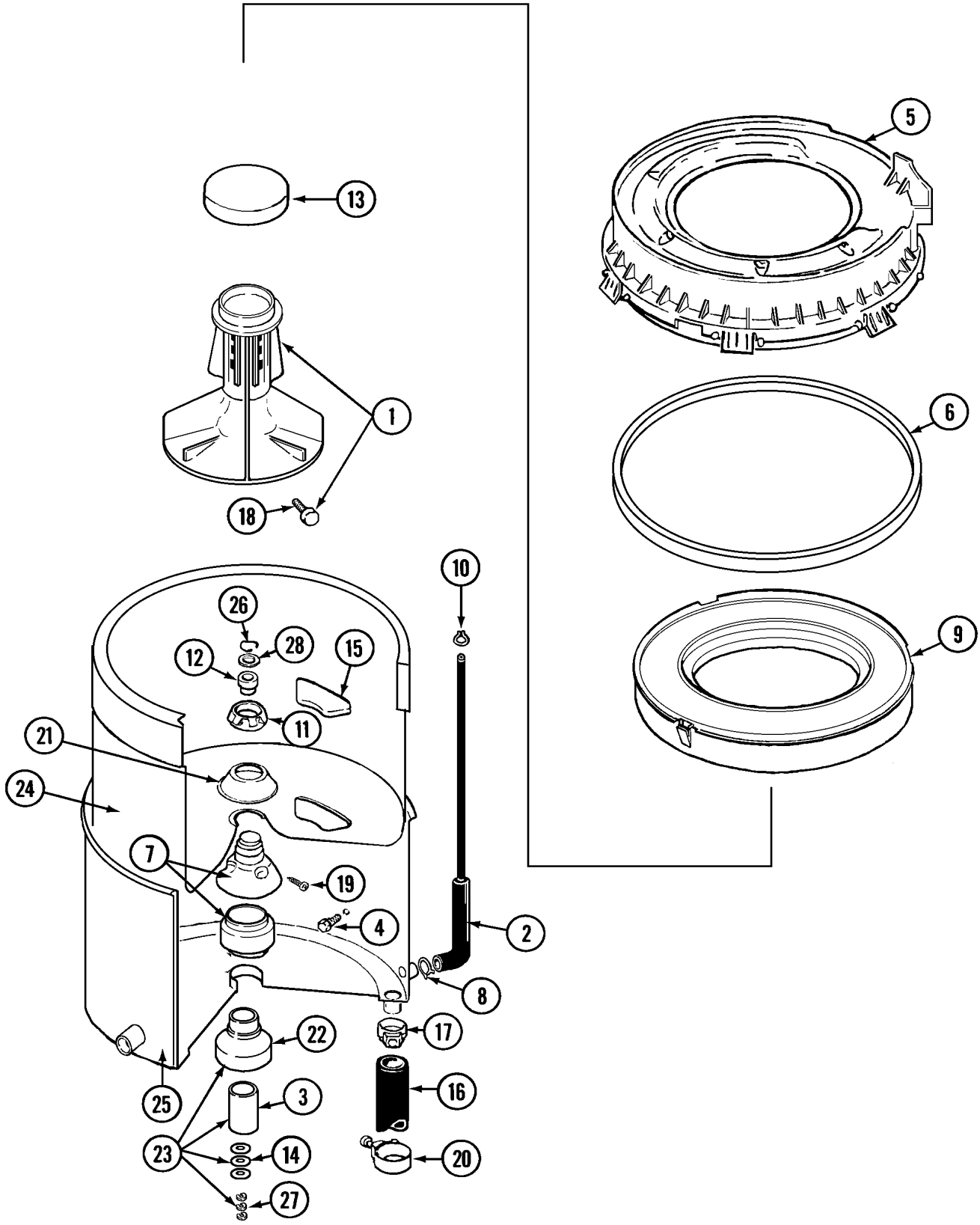


Section: CABINET

**MAT10 2 P4**

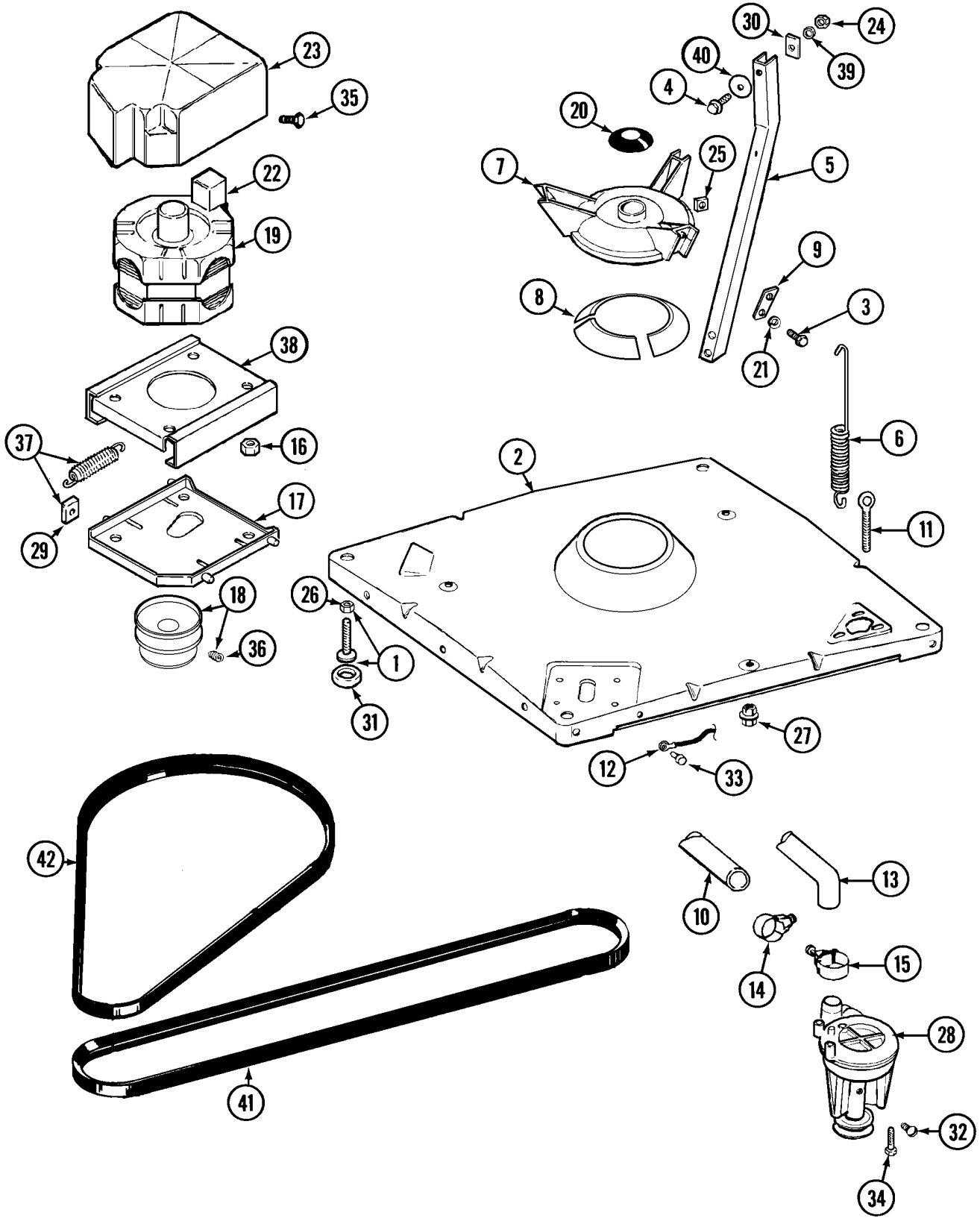


**MAT10 2 P5**

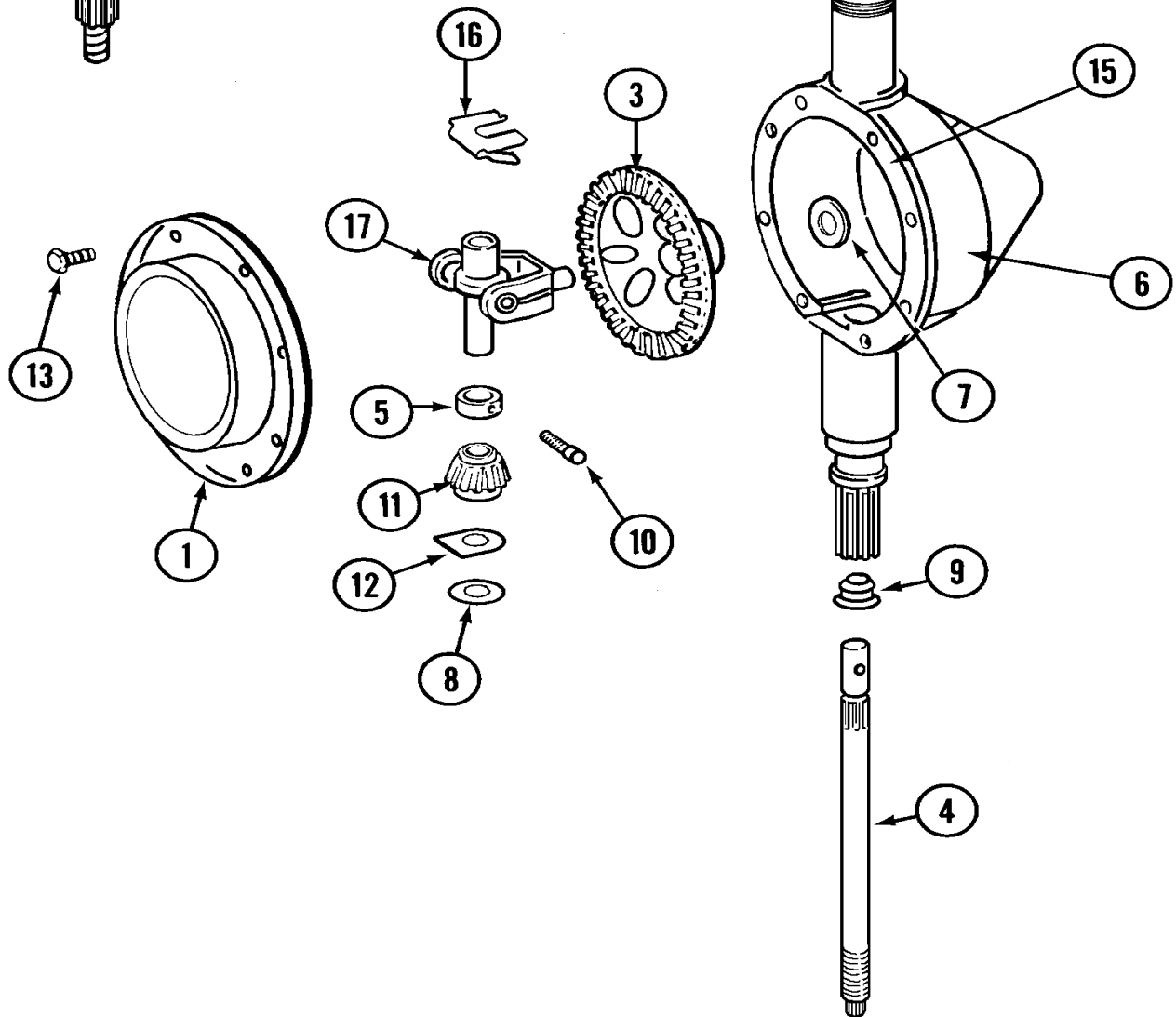
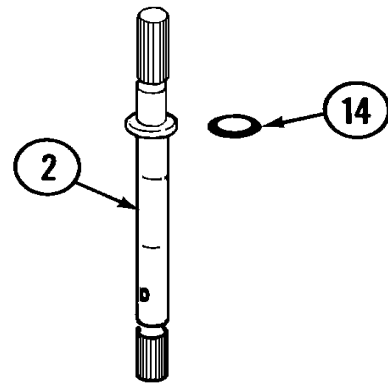
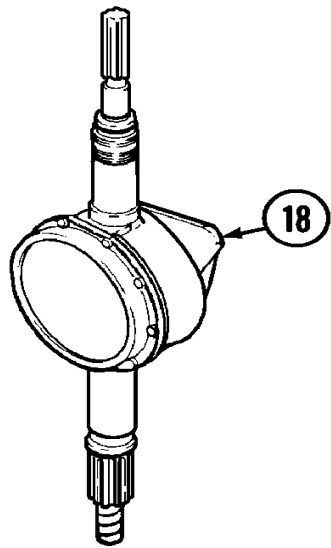


Section: BASE

**MAT10 2 P6**

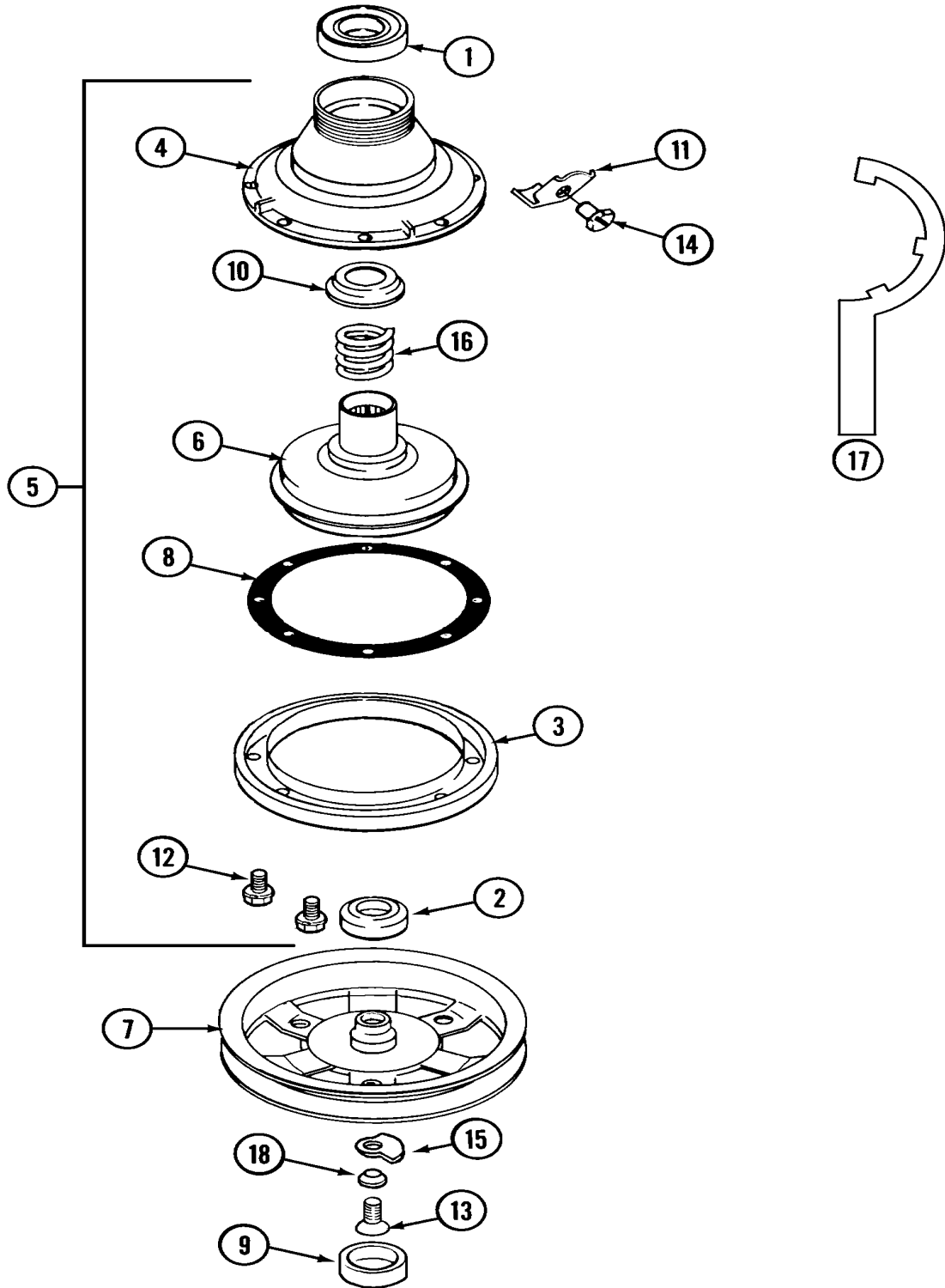


**MAT10 2 P7**



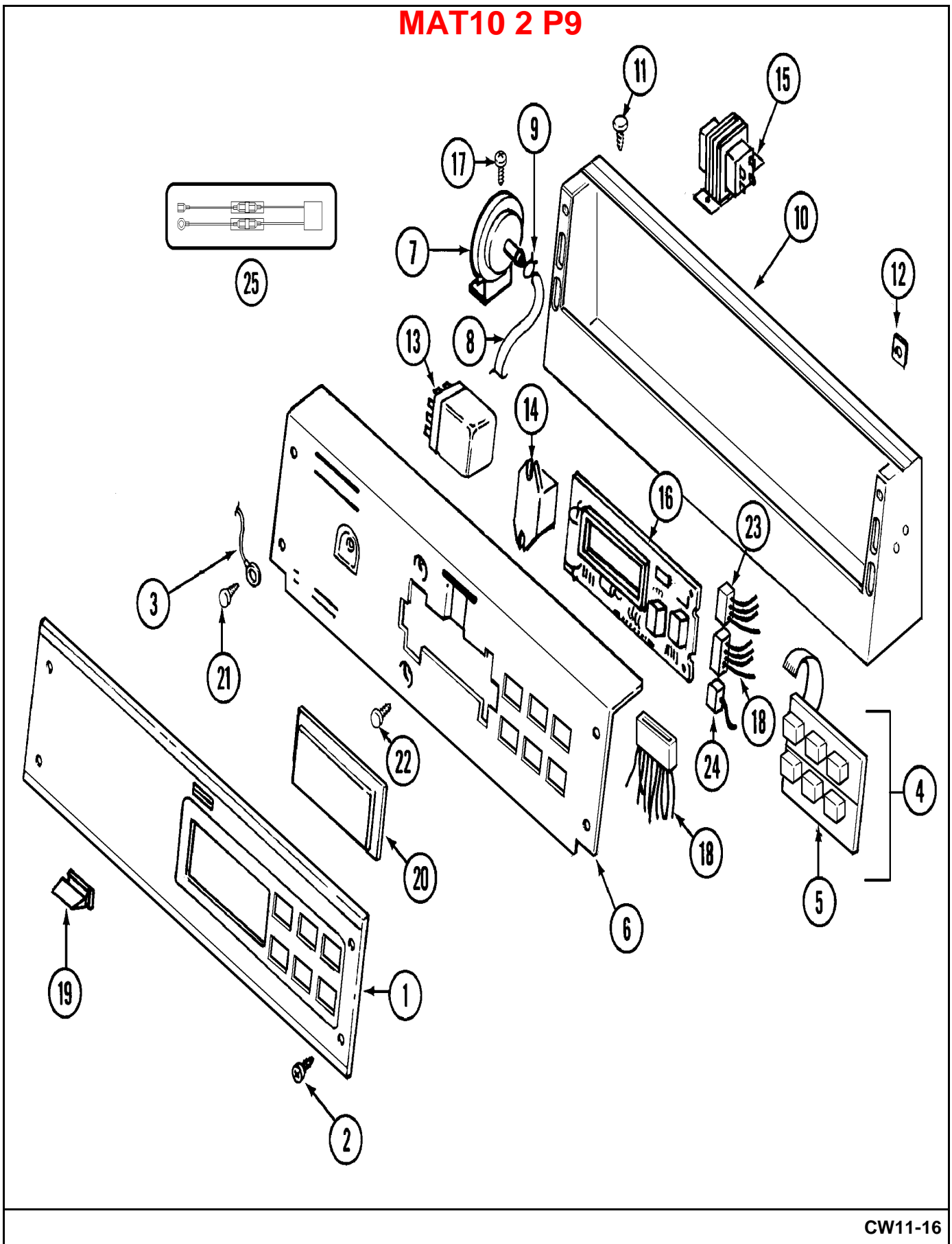


**MAT10 2 P8**



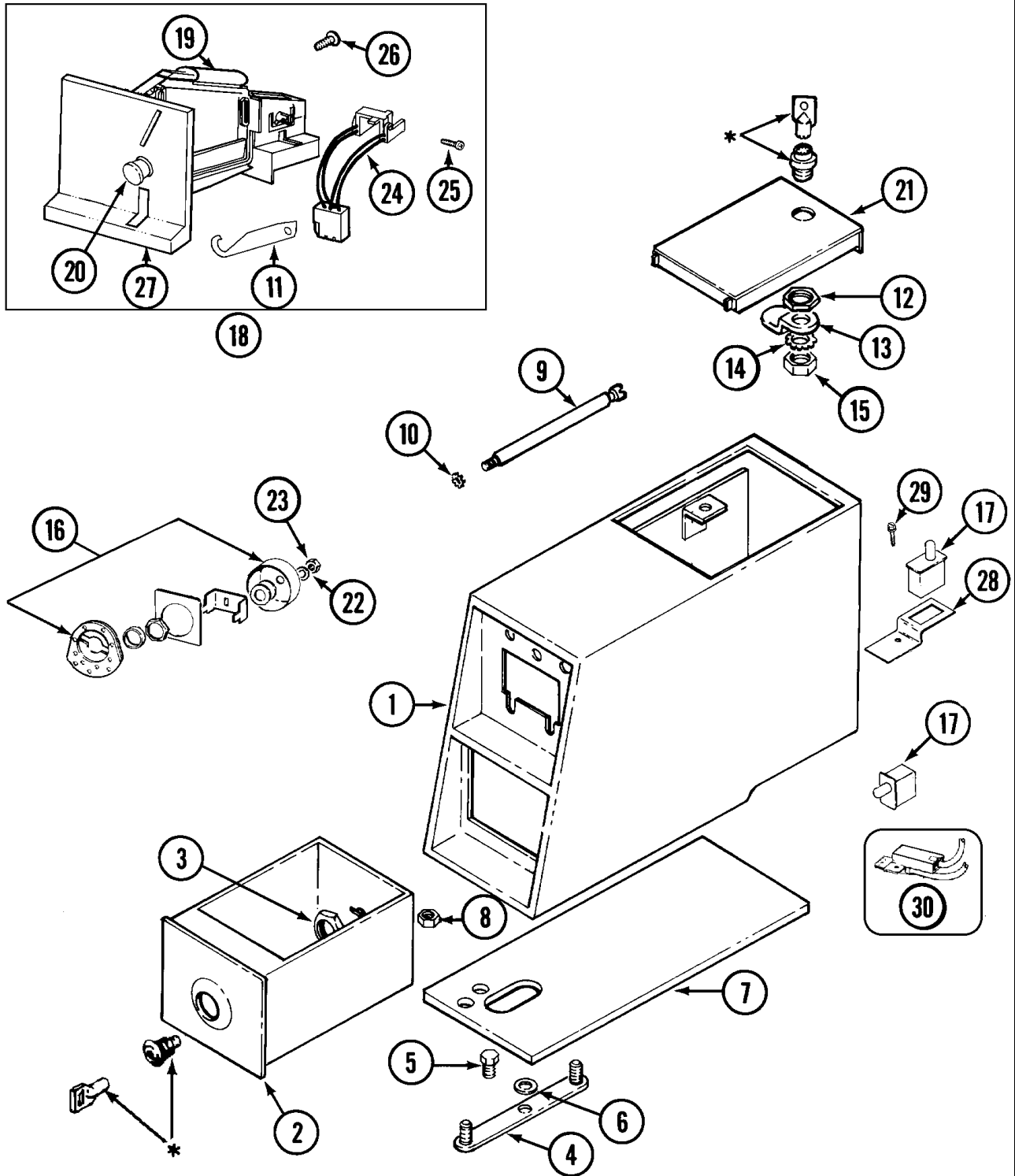
Section: CONTROL PANEL

**MAT10 2 P9**



Section: CONTROL CNTR (SERIAL SUFFIX QB & AFTER)

**MAT10 2 P10**



**\*CONTACT YOUR COMMERCIAL LAUNDRY DISTRIBUTOR**