

**Repair
Parts
List**

MODEL NUMBER
MAT10CSAGW

**WASHER
MAT10 1**

When requesting service or ordering parts, always provide the following information:

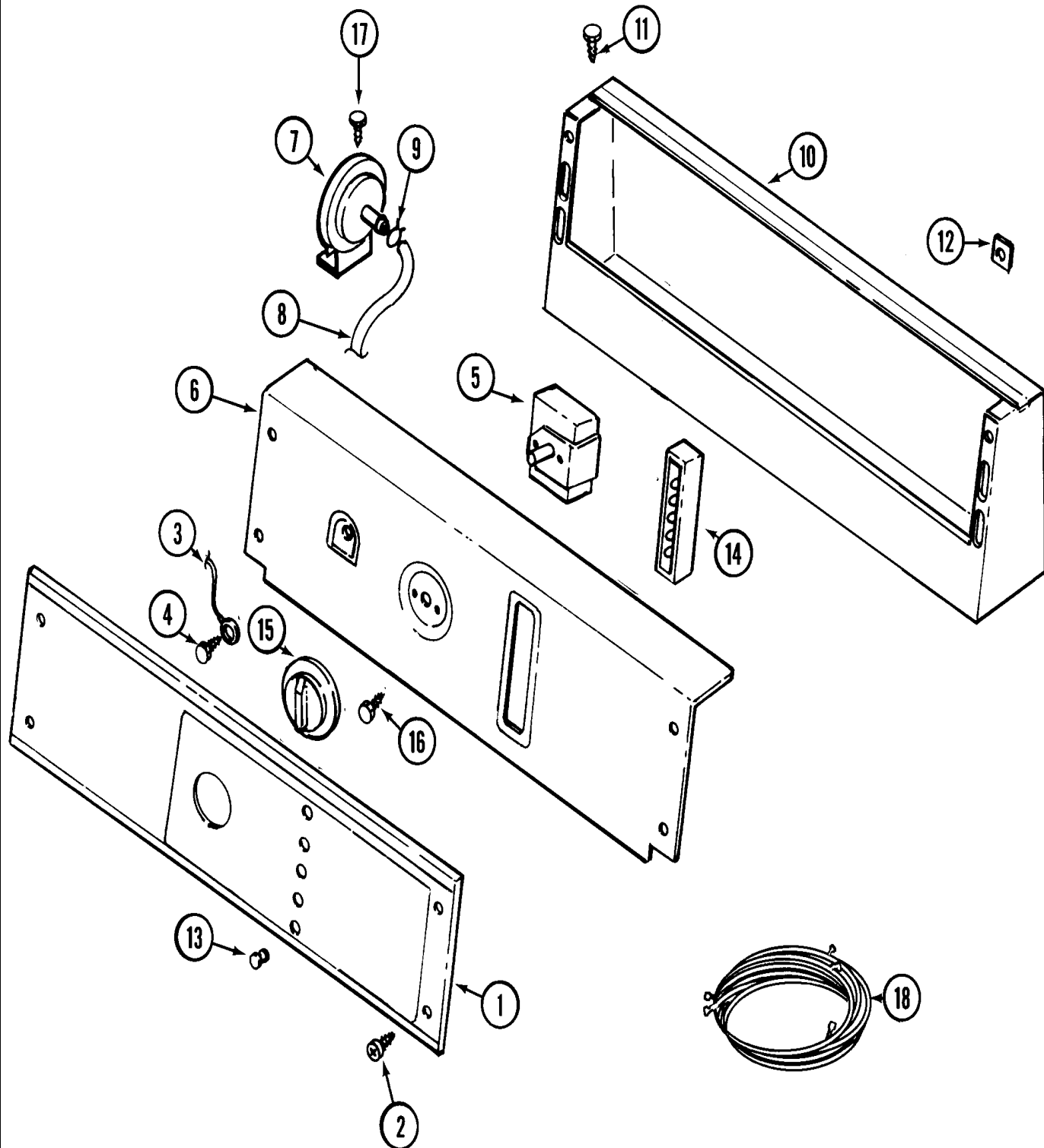
- **Product Type**
- **Part Number**
- **Model Number**
- **Part Description**

MAYTAG®

©2005 Maytag Services

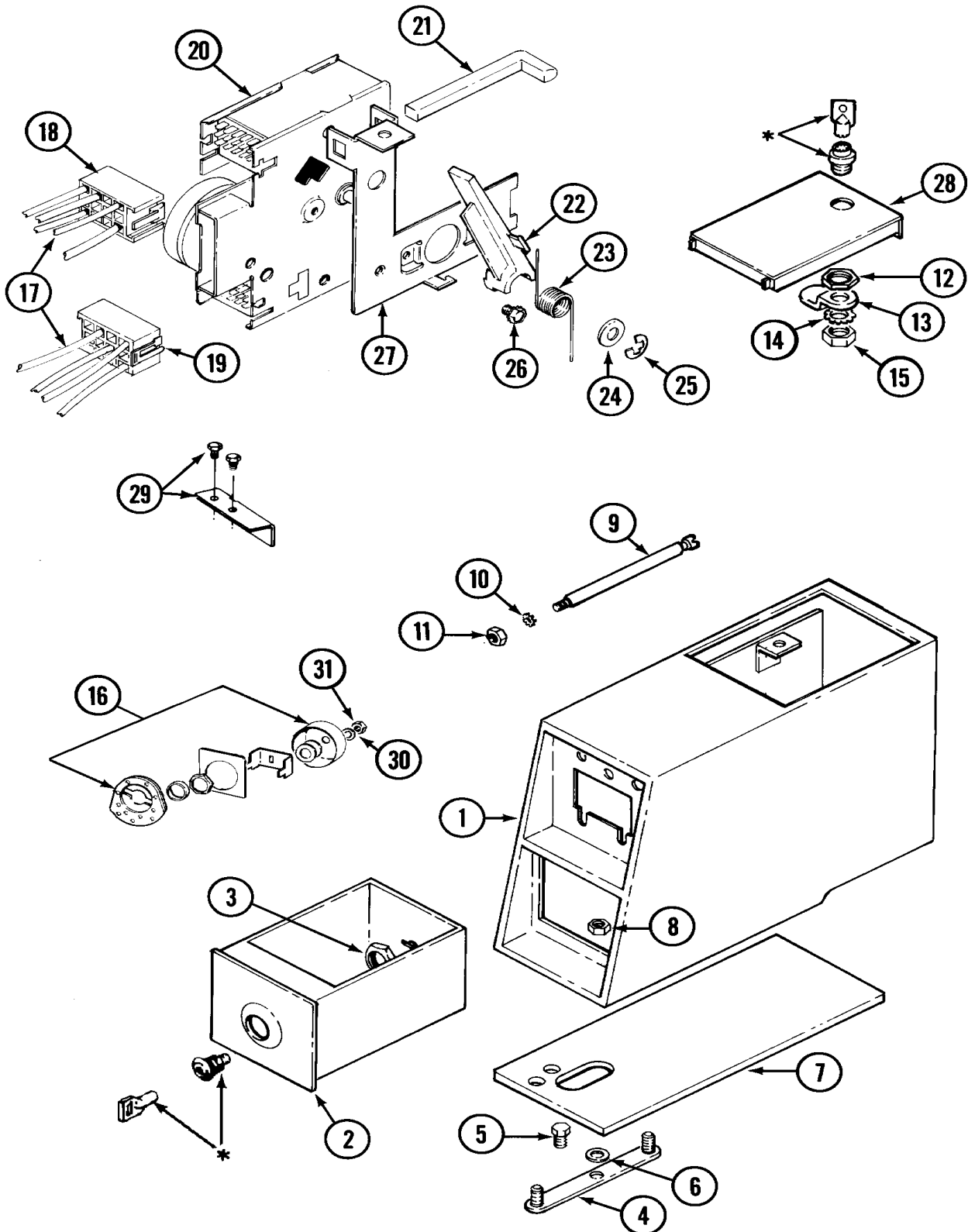
Section: CONTROL PANEL

MAT10 1 P1



Section: CONTROL CENTER

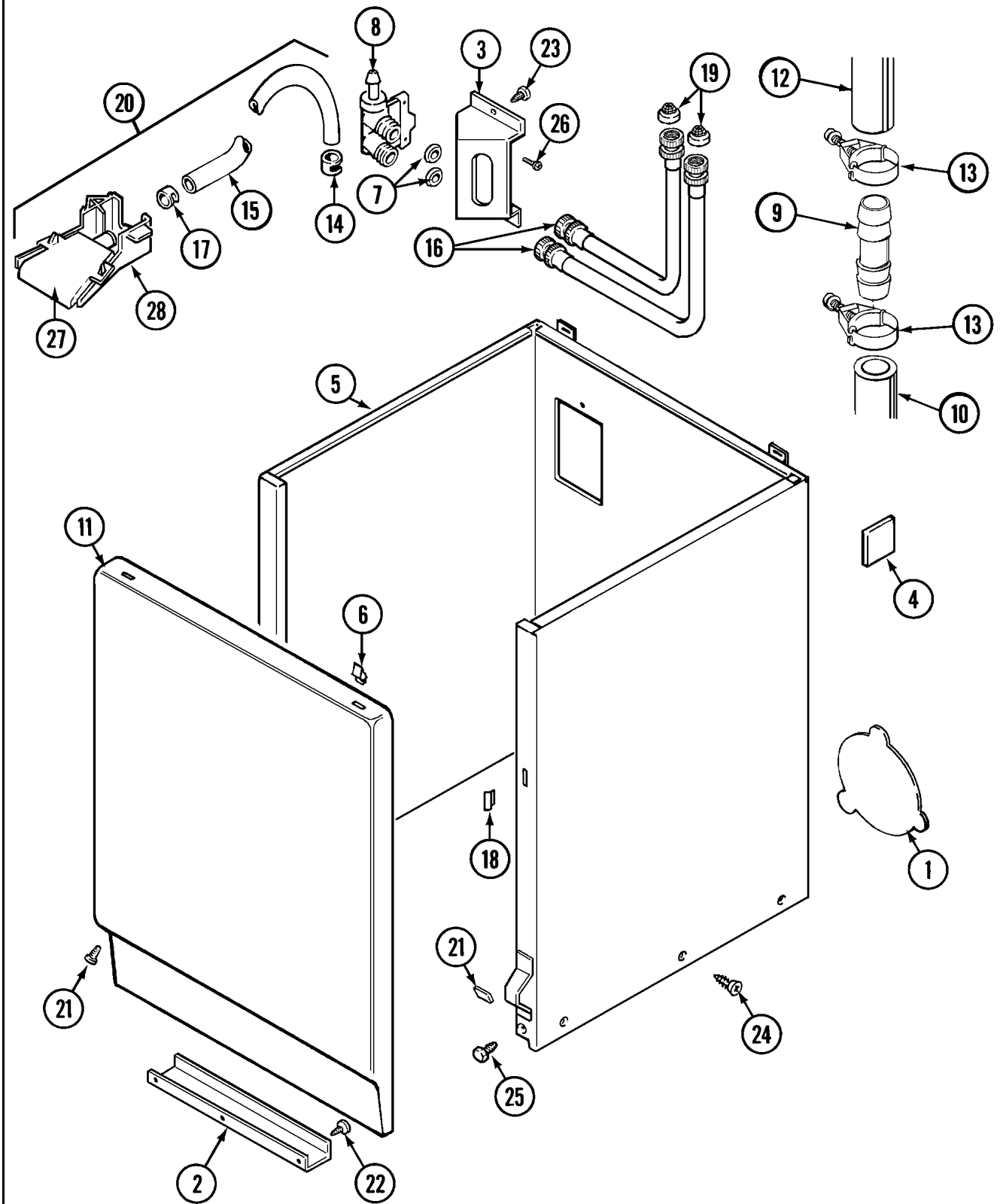
MAT10 1 P2



* CONTACT YOUR COMMERCIAL LAUNDRY DISTRIBUTOR

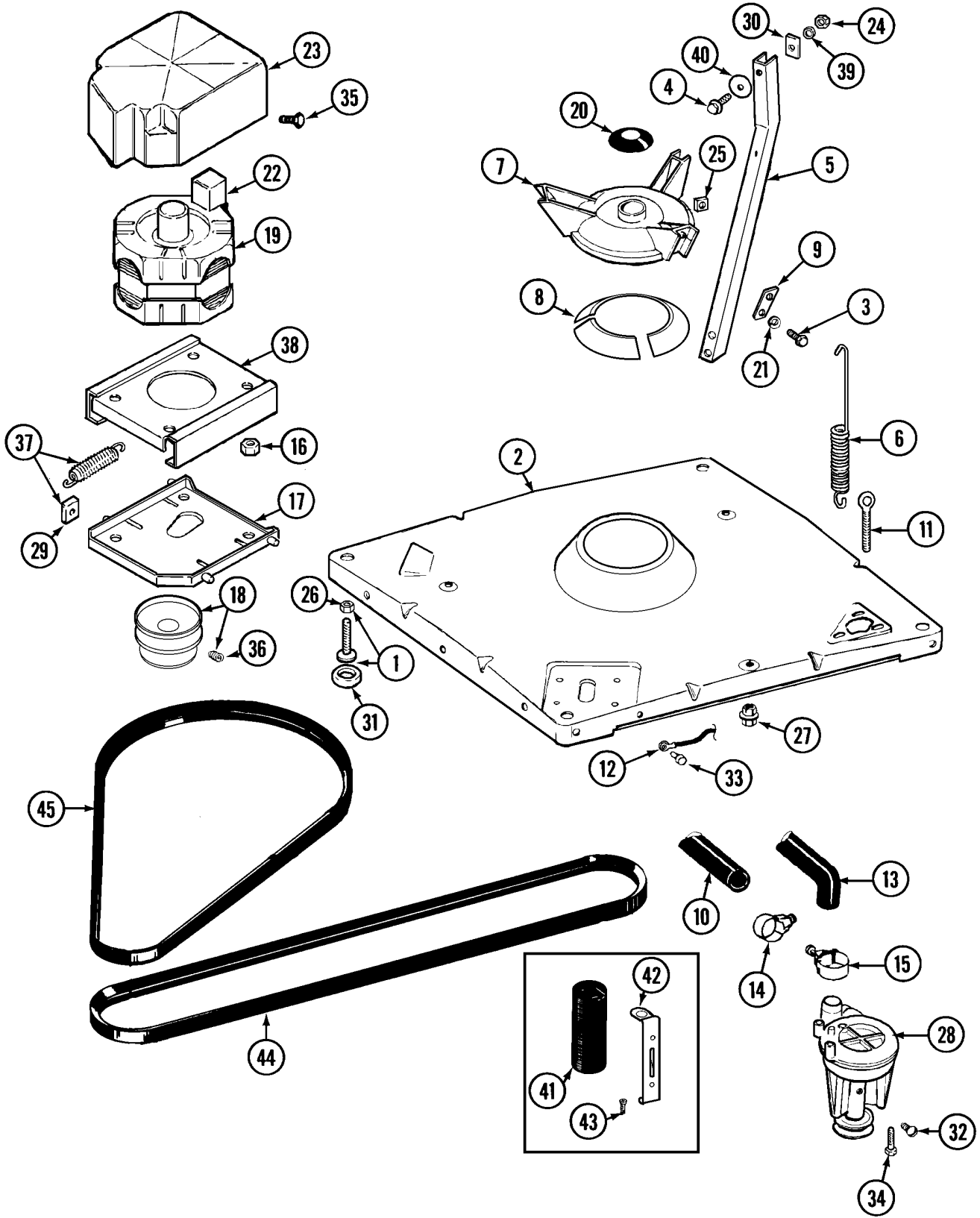
Section: CABINET

MAT10 1 P4

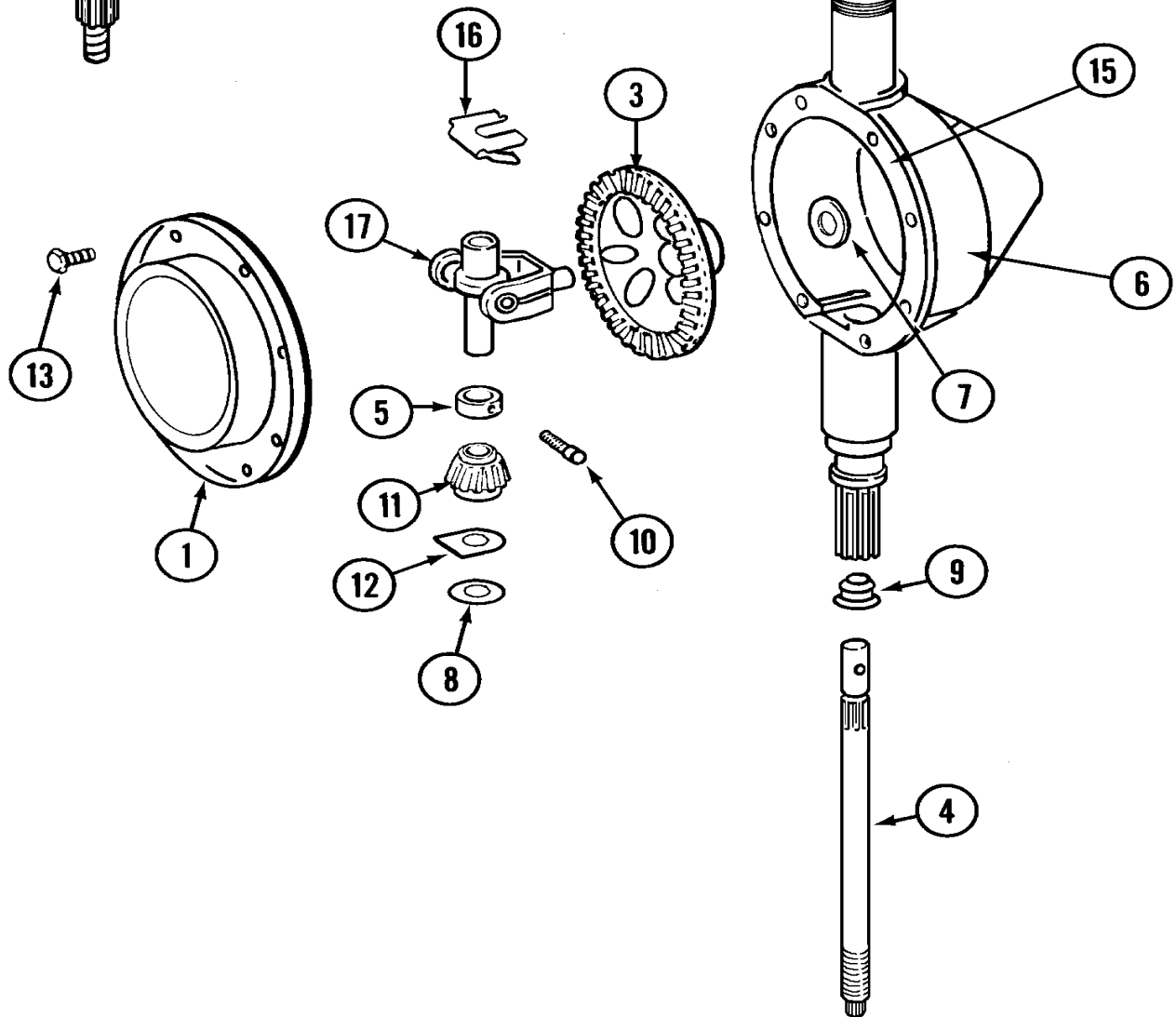
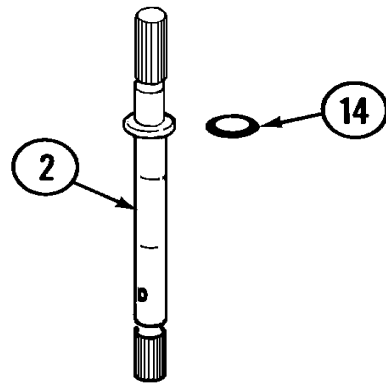
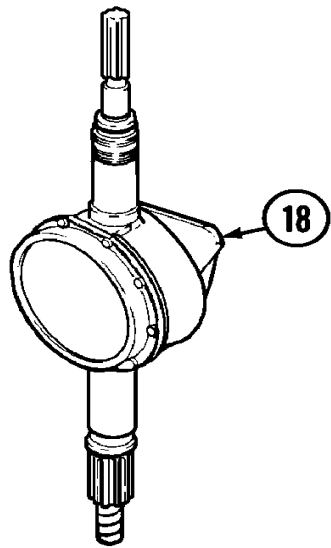


Section: BASE

MAT10 1 P5



MAT10 1 P6



Section: CLUTCH, BRAKE & BELTS

MAT10 1 P7

