

**Repair
Parts
List**

MODEL NUMBER
MAH3000AGW

**WASHER
MAH30 1**

When requesting service or ordering parts, always provide the following information:

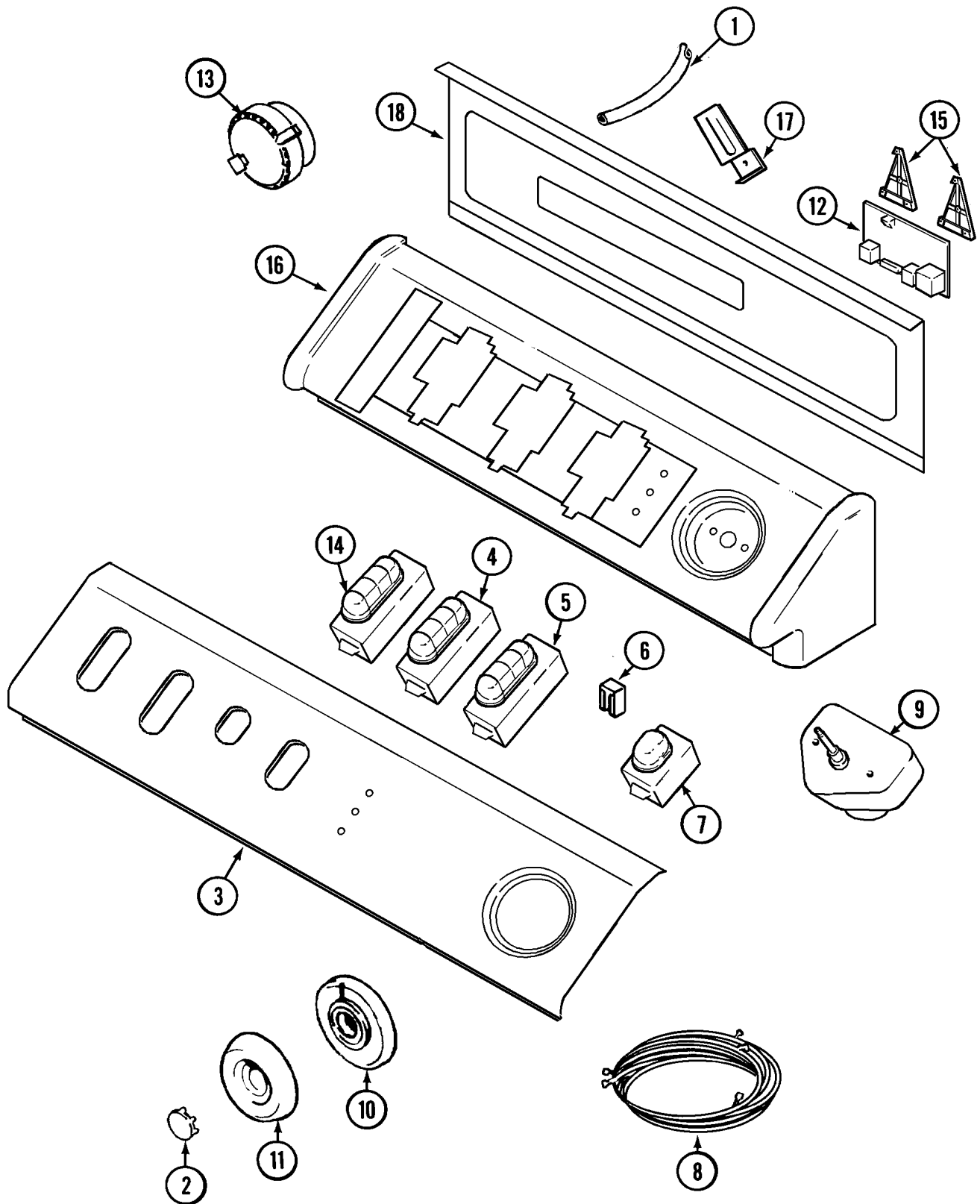
- Product Type
- Part Number
- Model Number
- Part Description

MAYTAG®

©2005 Maytag Services

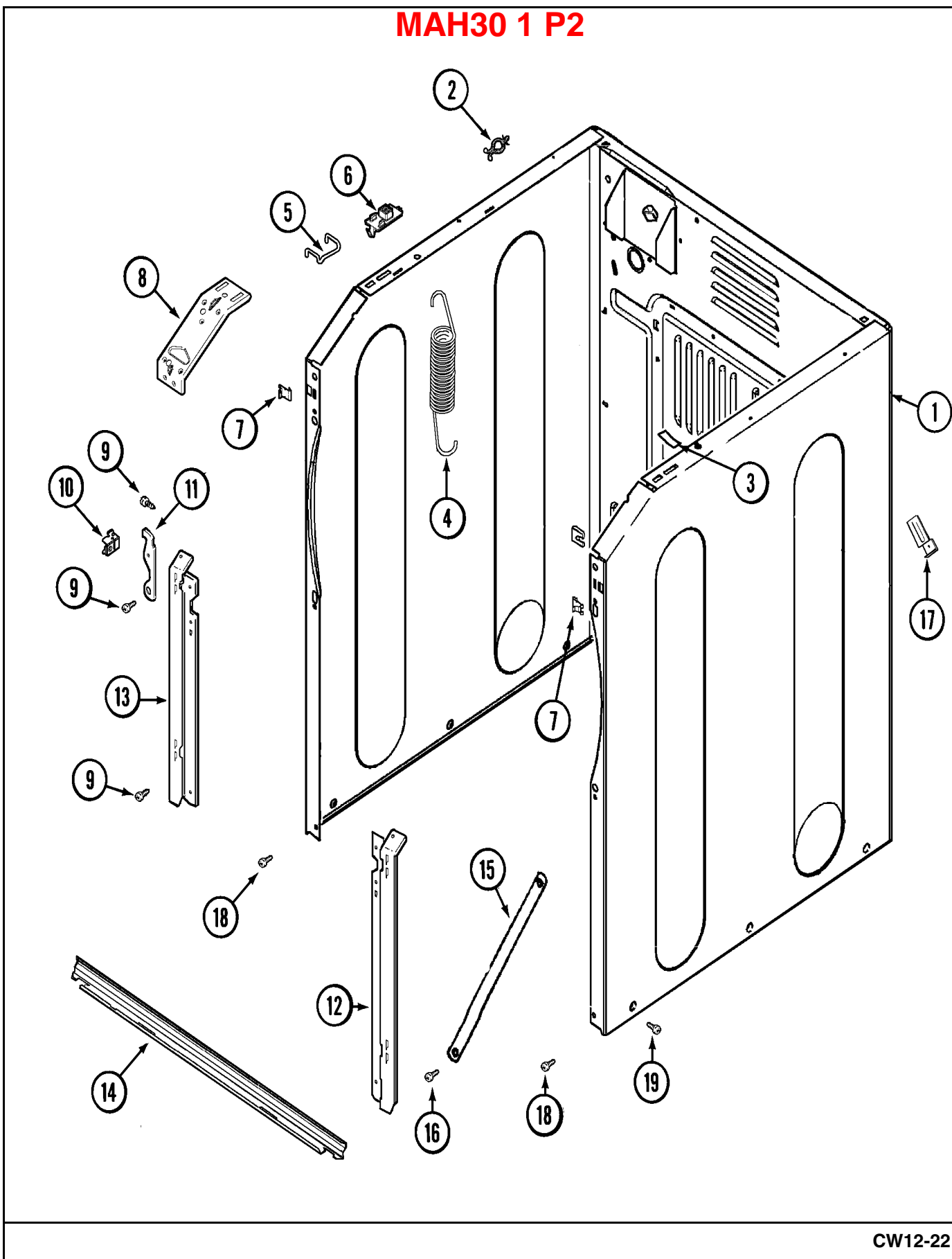
Section: CONTROL PANEL

MAH30 1 P1



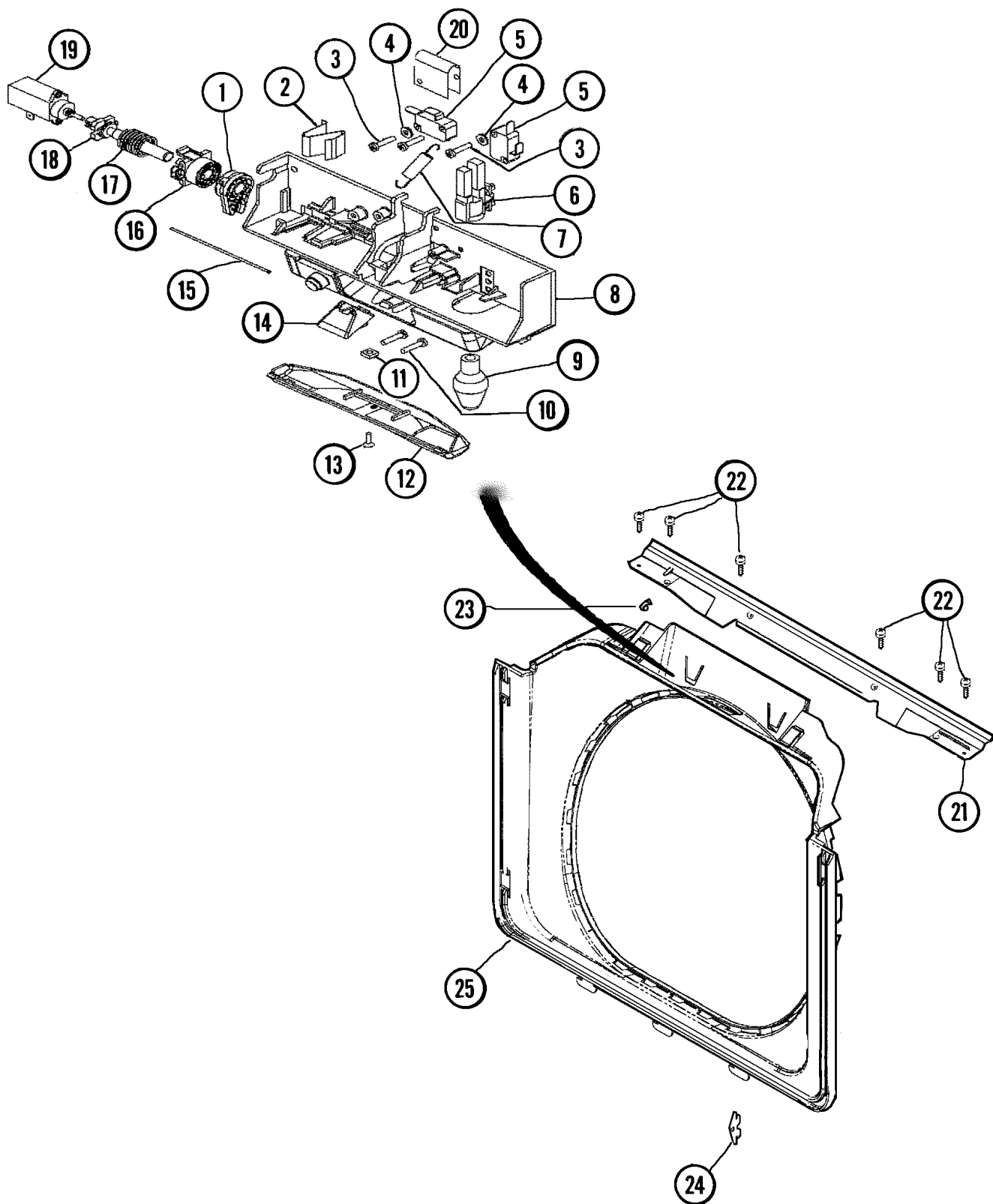
Section: CABINET-FRONT

MAH30 1 P2



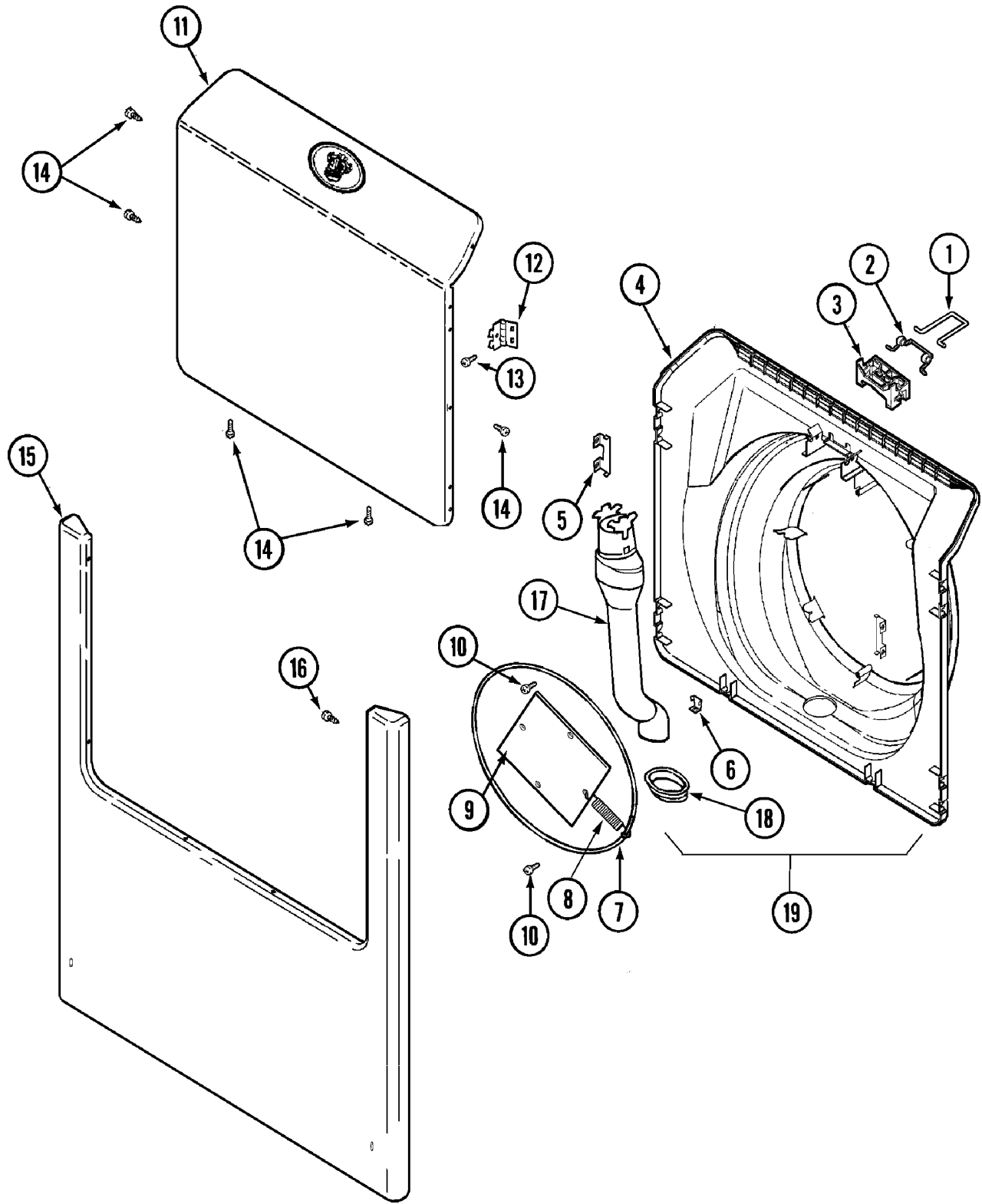
Section: DOOR SHROUD & DOOR LATCH ASSEMBLY

MAH30 1 P3



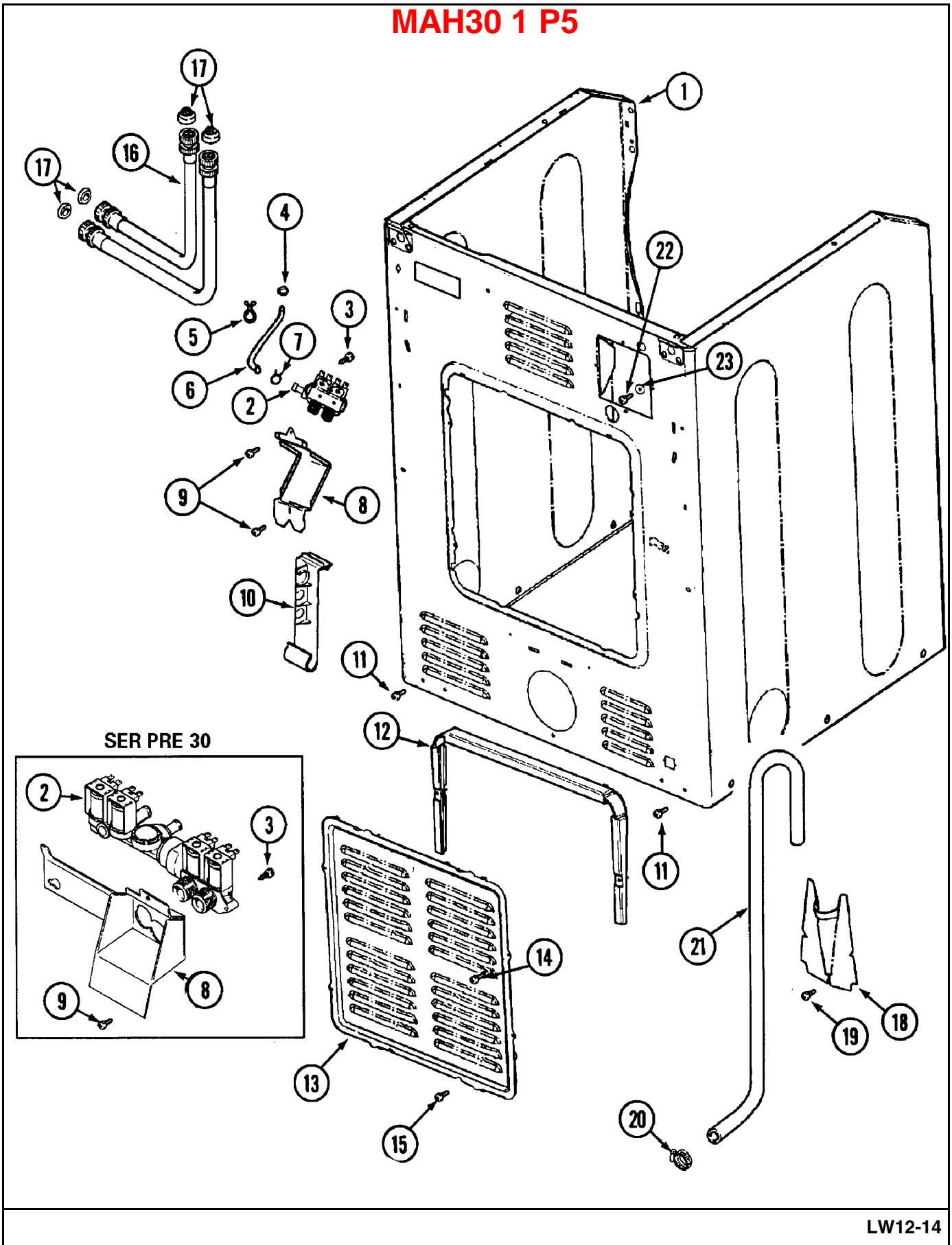
Section: DOOR & FRONT PANEL

MAH30 1 P4



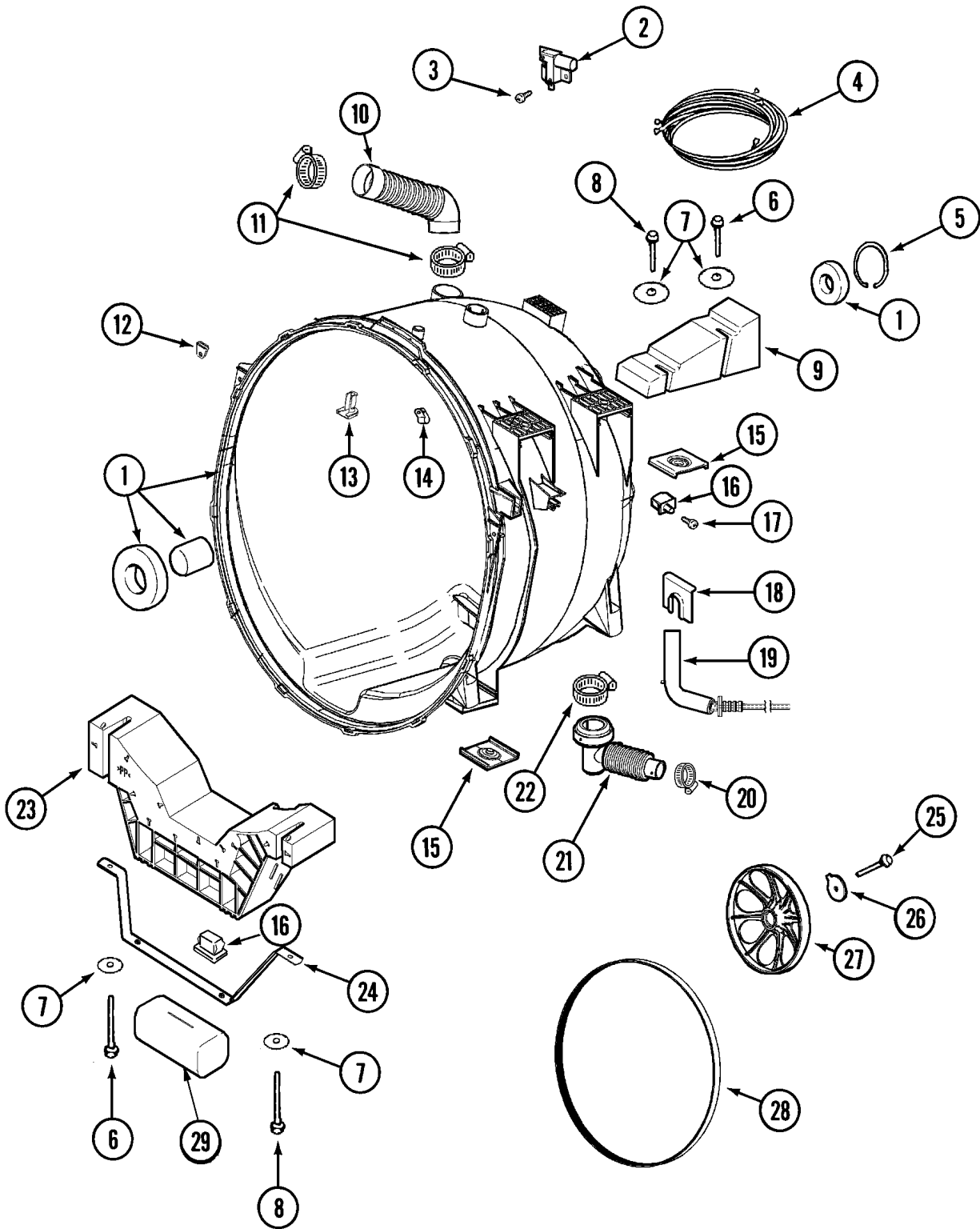
Section: CABINET-REAR

MAH30 1 P5



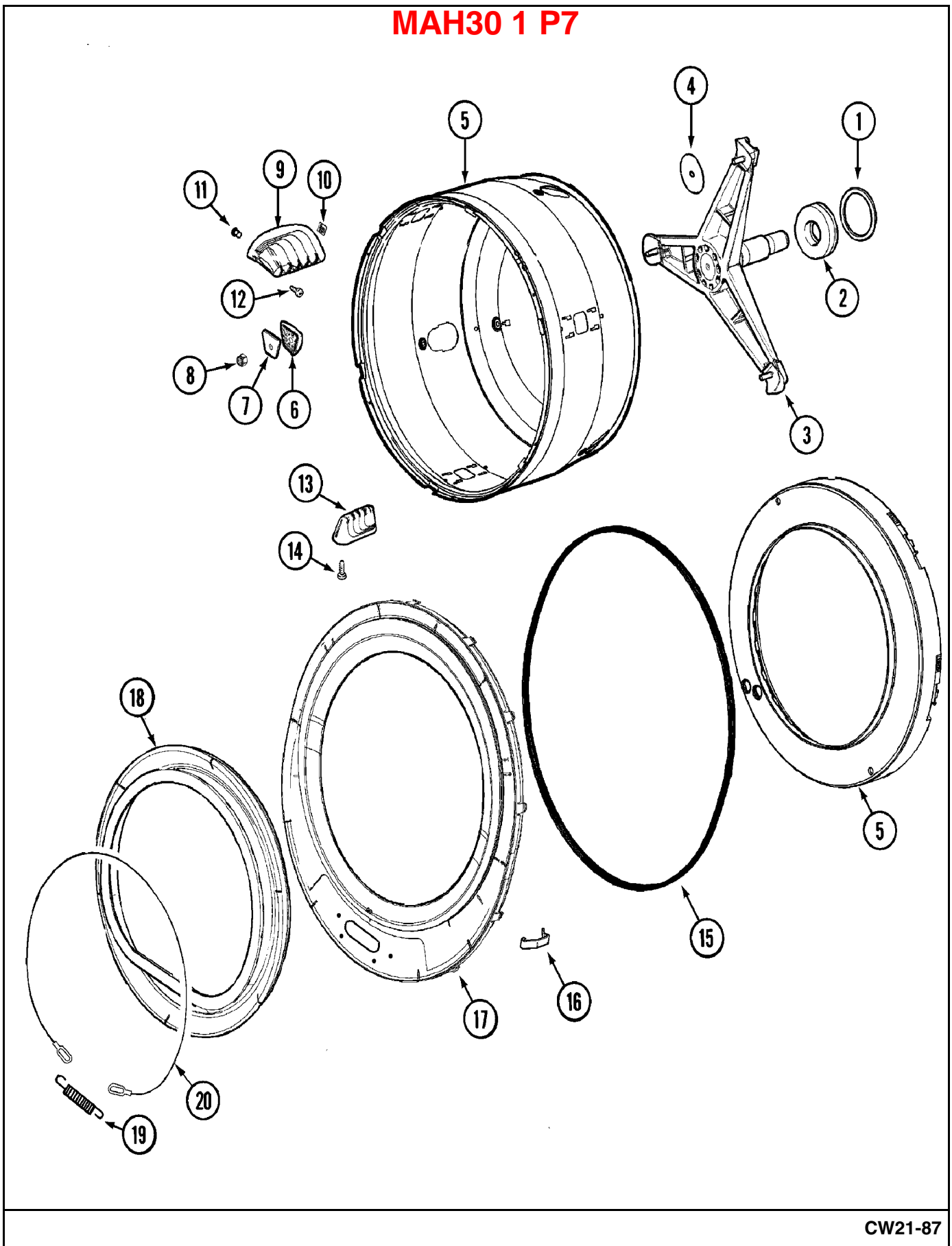
Section: OUTER TUB

MAH30 1 P6

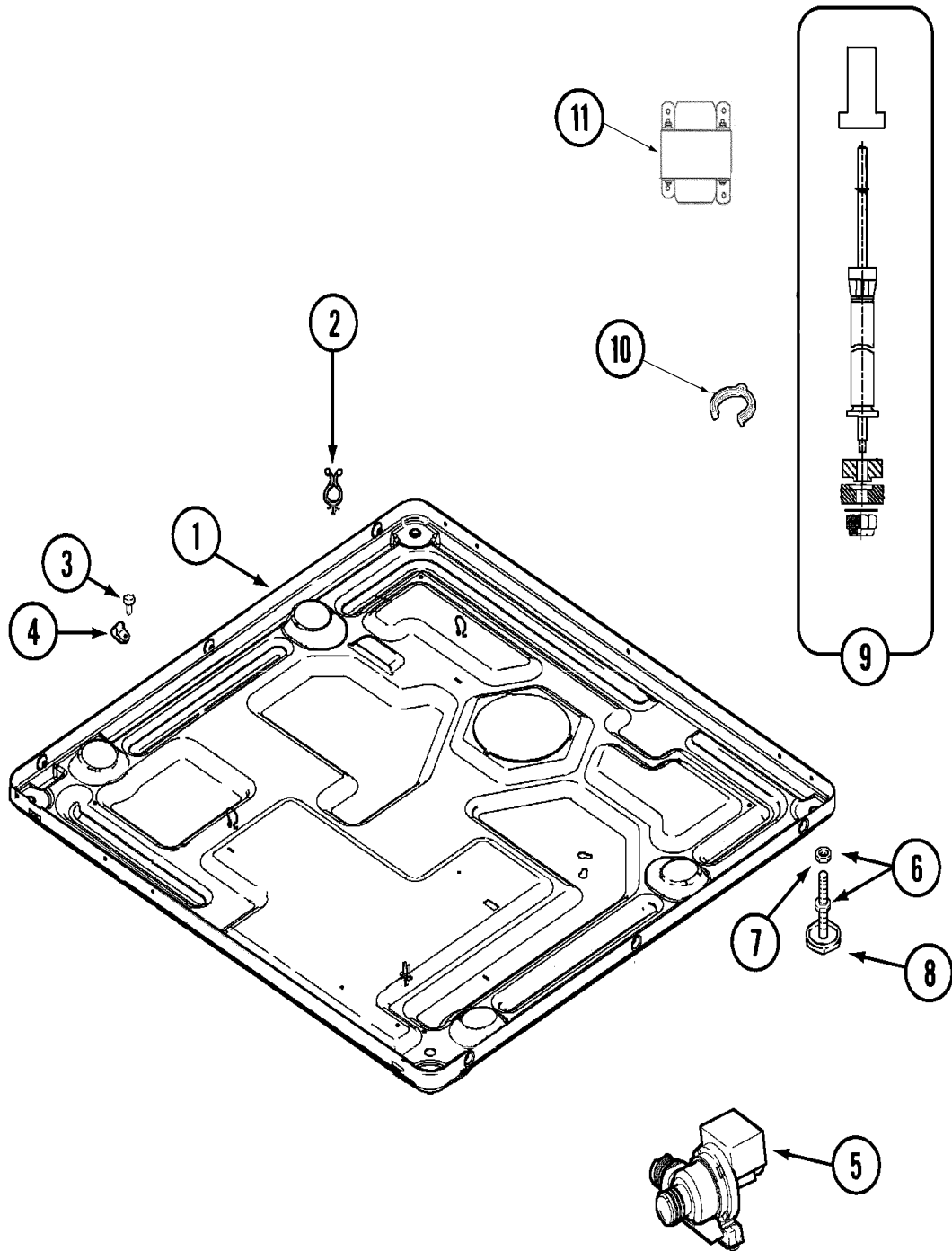


Section: SPINNER ASSEMBLY & OUTER TUB COVER

MAH30 1 P7

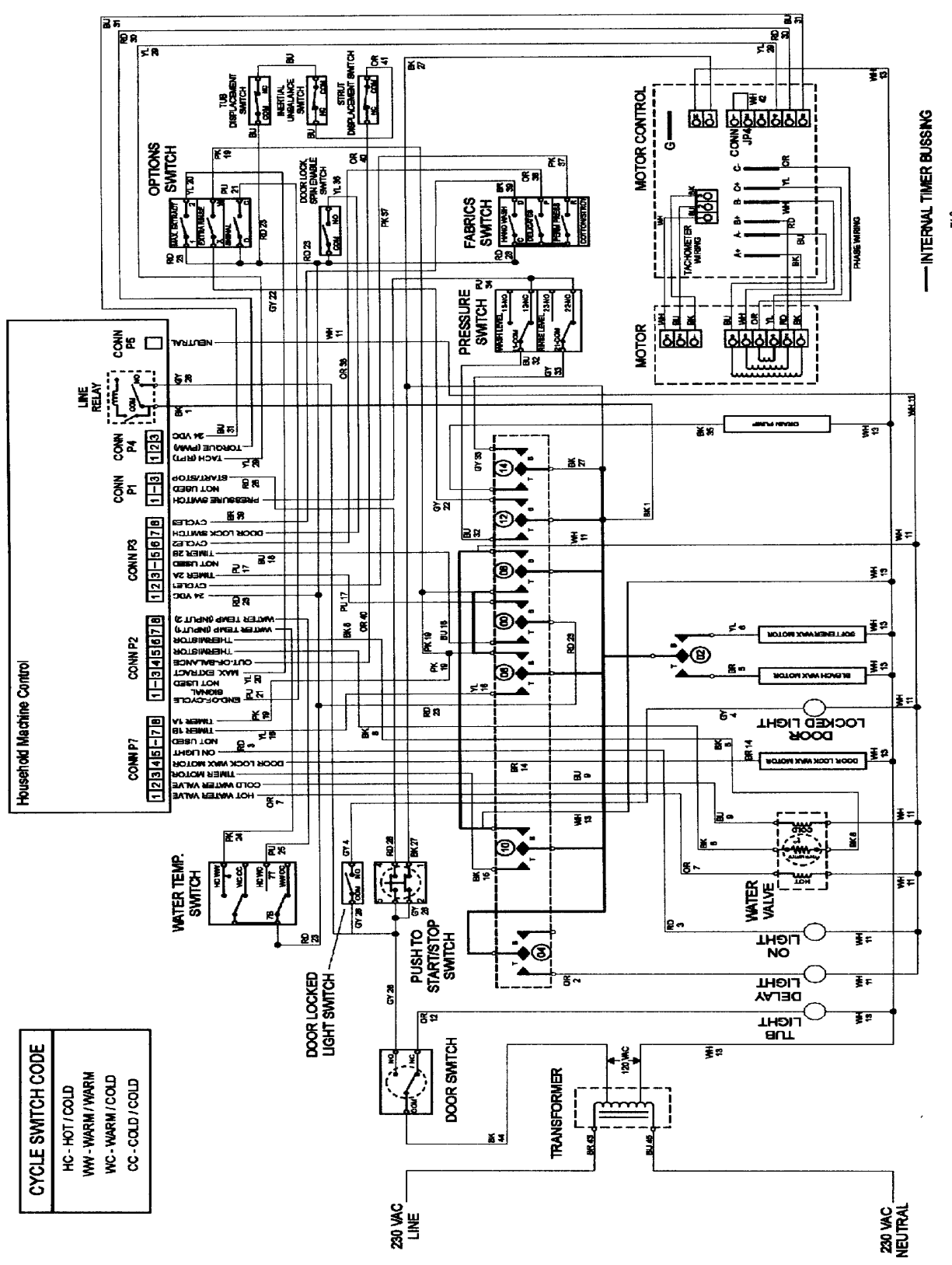


MAH30 1 P8



Section: WIRING INFORMATION

MAH30 1 P9



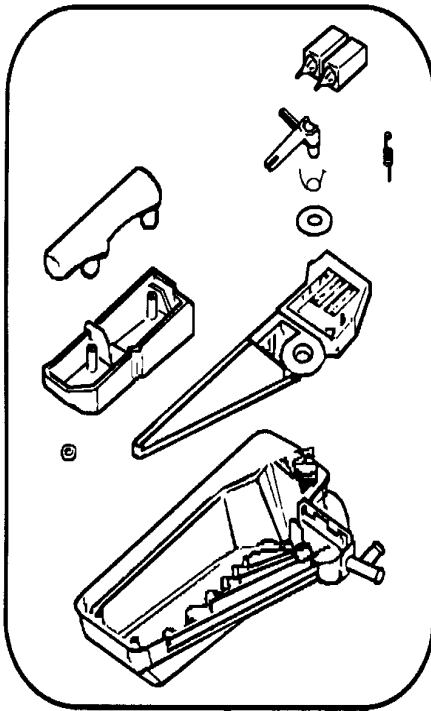
CYCLE SWITCH CODE	
HC	HOT / COOLD
WW	WARM / WARM
WC	WARM / COOLD
CC	COOLD / COOLD

INTERNAL TIMER BUSSING



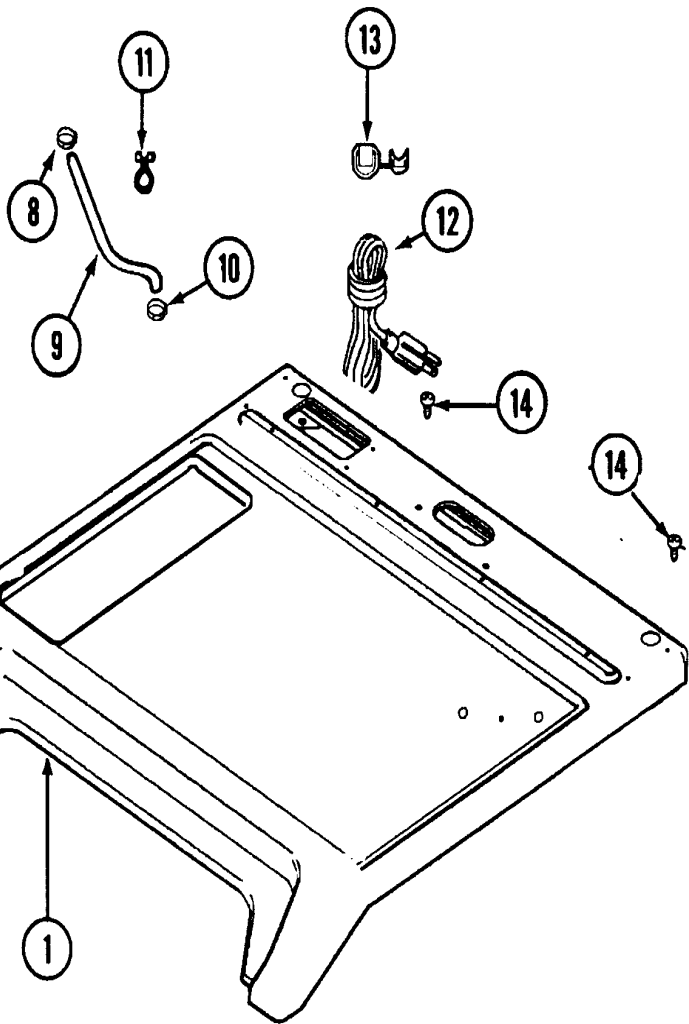
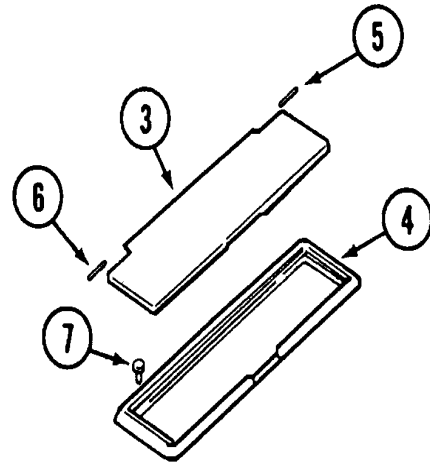
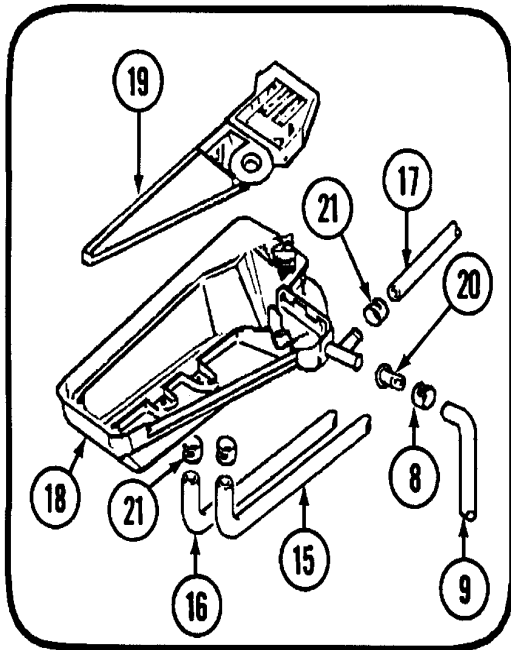
MAH30 1 P10

SER PRE 10-29



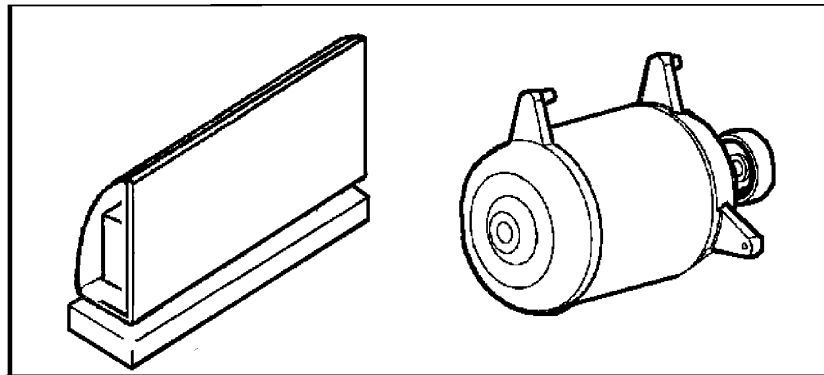
2

SER PRE 30




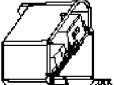






Section: MOTOR & MOTOR CONTROL

MAH30 1 P11



1 USE FOR ITEM 2 PRIOR TO SERIES 62

ITEM 1 - KIT CONTAINS:

							
12002040 Motor w/isolators	22004046 Motor Control Board	22004047 Motor Harness	22003854 AC Line Filter	22004102 "P" Clips (2)	22002300 Screw - "P" Clip to Motor	22004101 Lower Jumper Wire harness	22004103 Ground Screw

