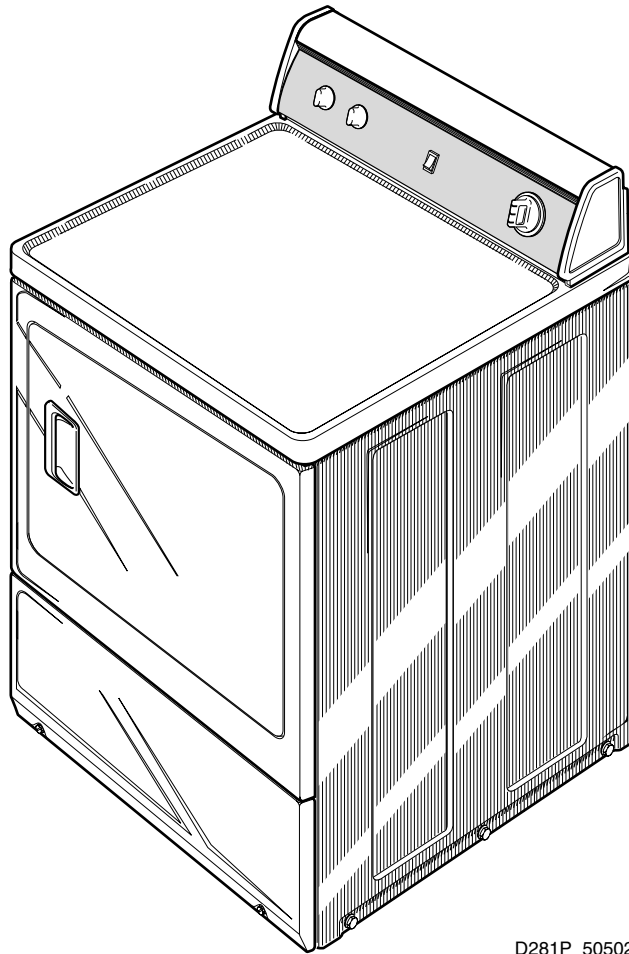


Dryers

Nonmetered

See Page 3 for Model Numbers



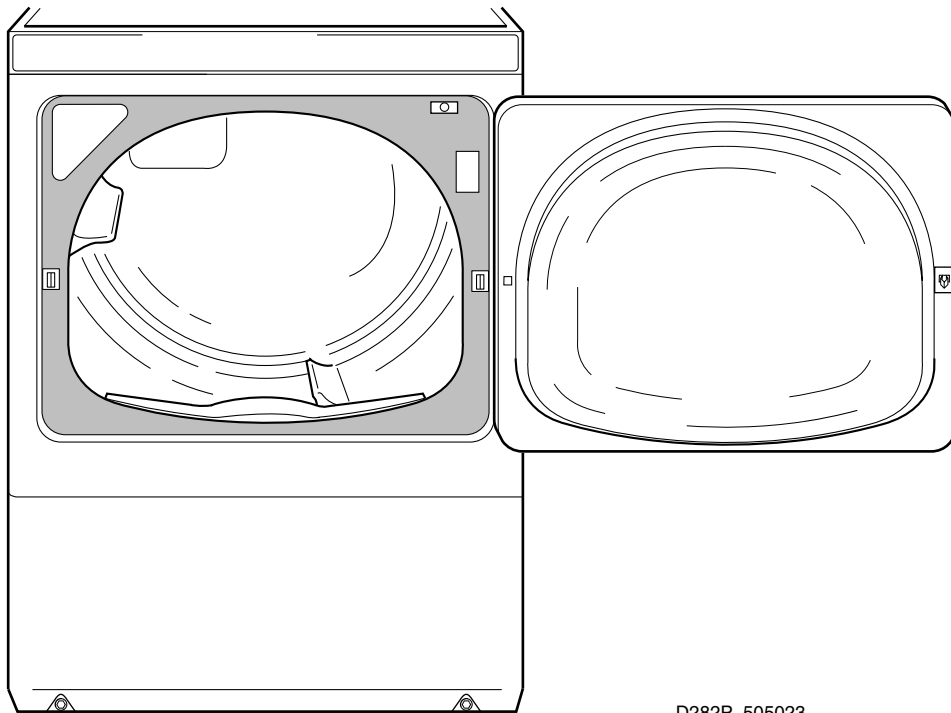
D281P_505023

Parts Ordering Information

If literature or replacement parts are required, contact the source from whom the machine was purchased or contact Alliance Laundry Systems at for the name and address of the nearest authorized parts distributor.

Nameplate Location

When calling or writing about your product, be sure to mention model and serial numbers. Model and serial numbers are located on nameplate(s) as shown.



D282P_505023

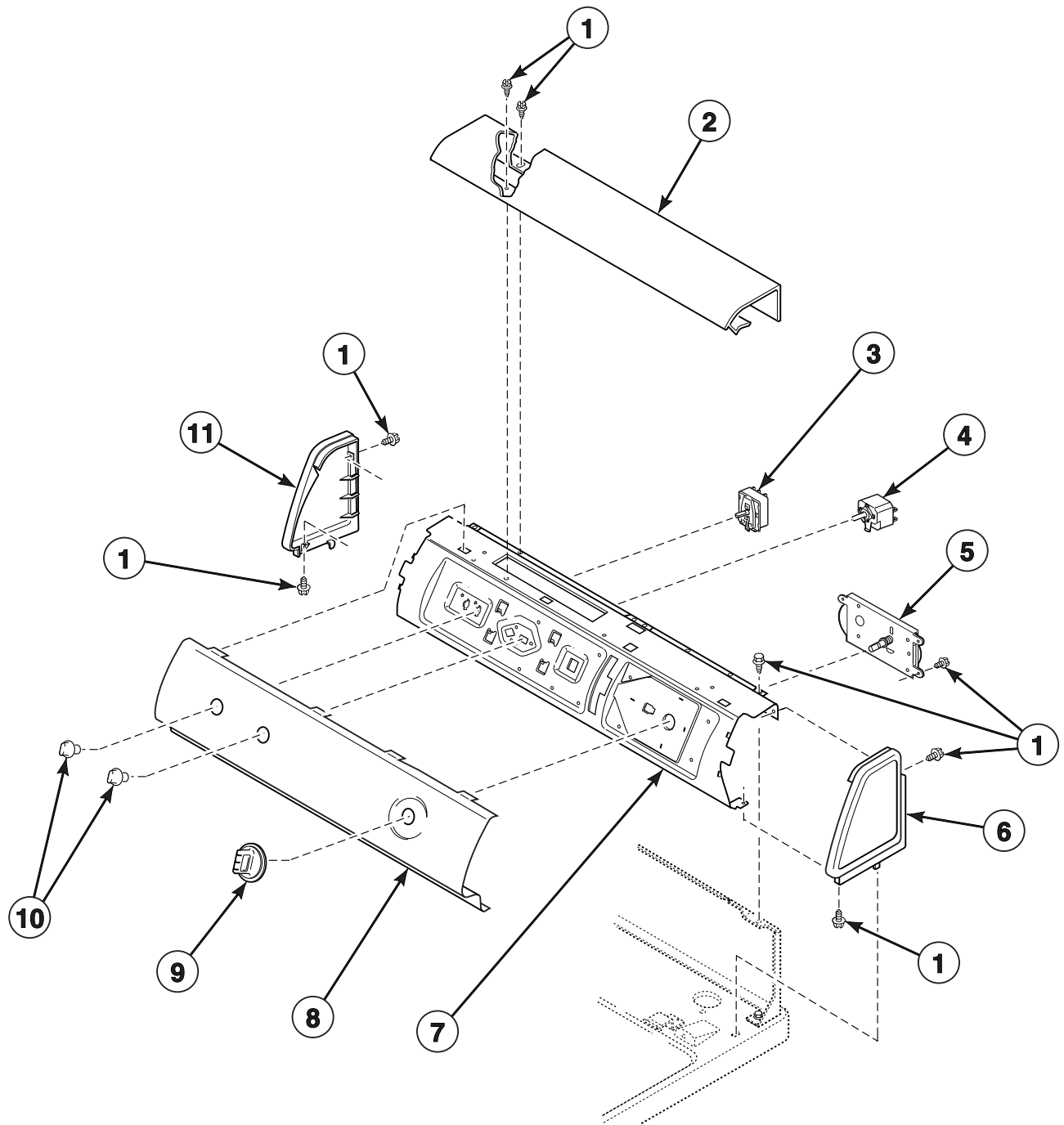
Model Identification

Information in this manual is applicable to these dryer models:

LEB07A*-1709	LGK33A*-3058
LEK33A*-4350	LGS19A*-3088
LES19A*-3000	LGS33A*-3000
LES19A*-4500	LGS33A*-3058
LES33A*-3000	LGS33A*-3080
LES33A*-3300	LGS33A*B3013
LES33A*-4350	LGS33A*B3080
LES33A*-4562	LGY47A*-1109
LES33A*B3018	LGZ33A*-3000
LEY47A*-1709	LGZ33A*B3013
LEZ33A*-3000	
LEZ33A*B3018	

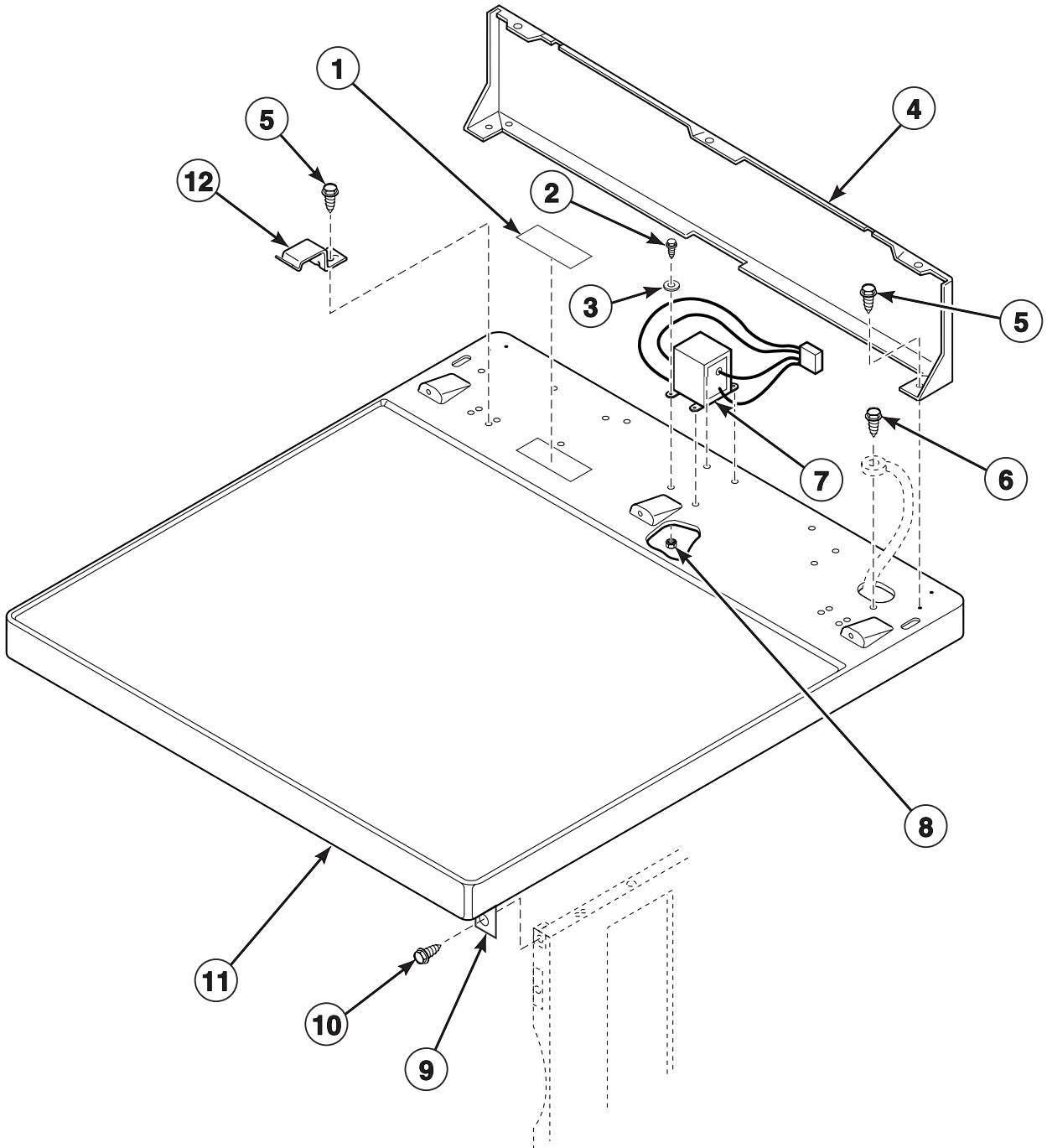
* Add Letter To Designate Color. L - Almond W - White

Graphic Panel, Control Hood and Controls



D378P_505023

Cabinet Top and Control Hood Rear Panel



D327P_505023

