

**Repair
Parts
List**

MODEL NUMBER
GDE610

**DRYER
GDE610**

When requesting service or ordering parts, always provide the following information:

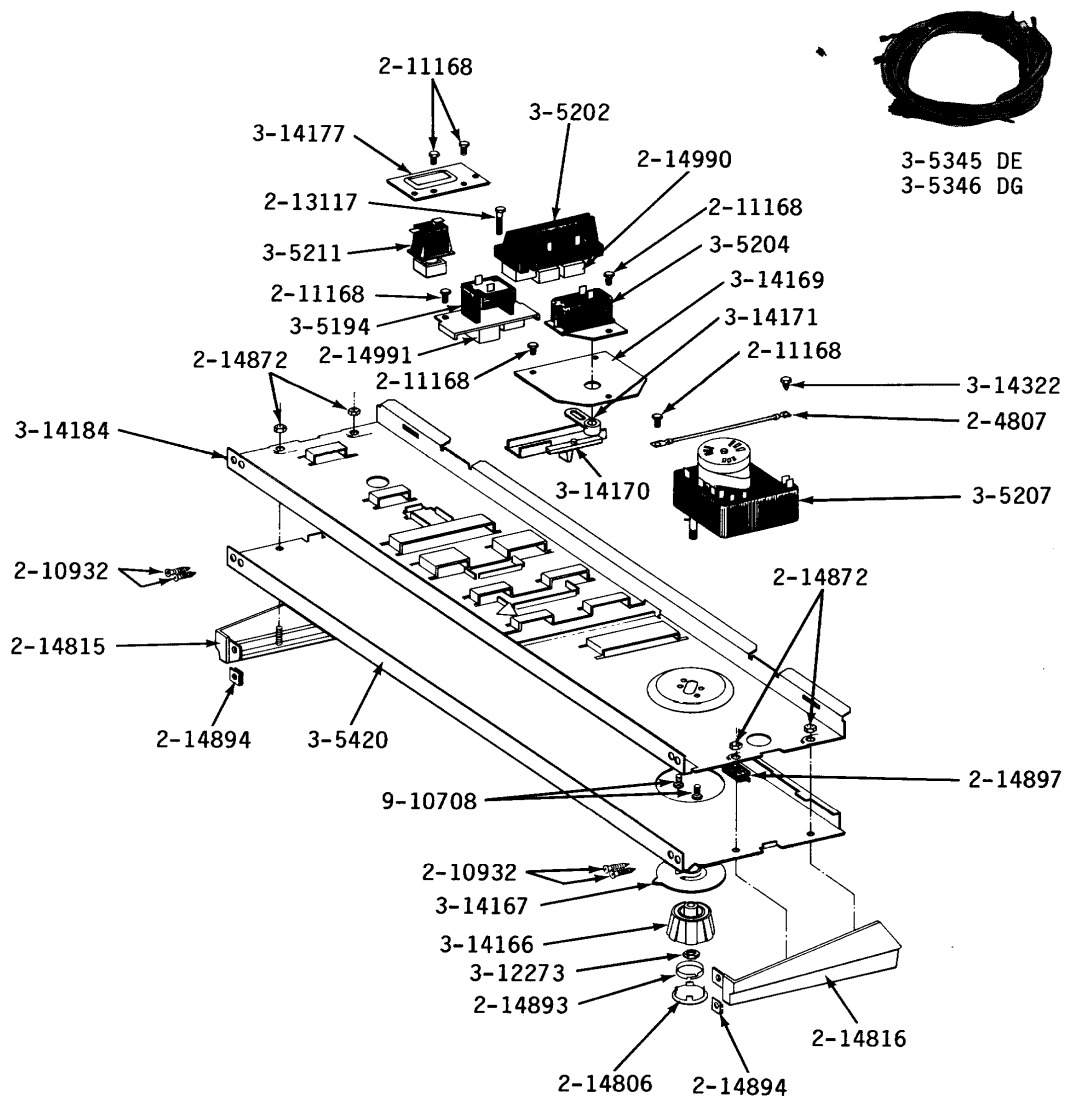
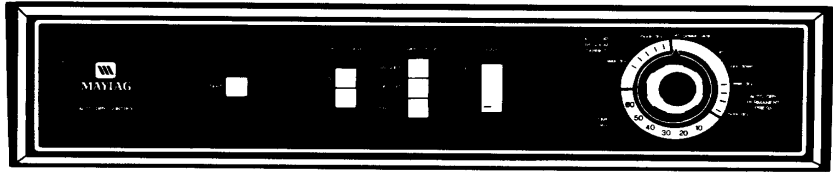
- **Product Type**
- **Part Number**
- **Model Number**
- **Part Description**

MAYTAG®

©2005 Maytag Services

GDE610 P1

MODEL DE-DG610 **CONTROL PANEL**

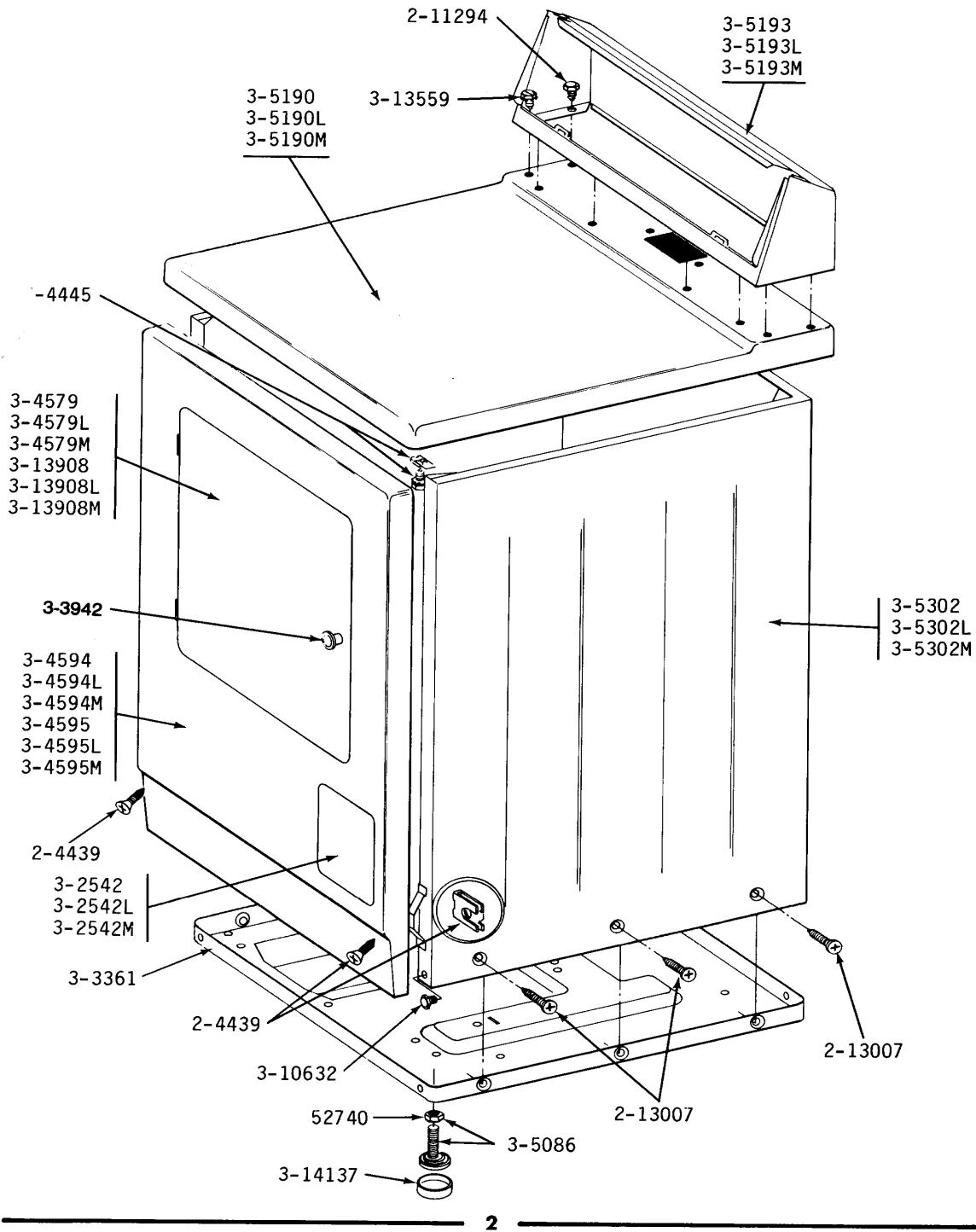


Section: FRONT VIEW

GDE610 P2

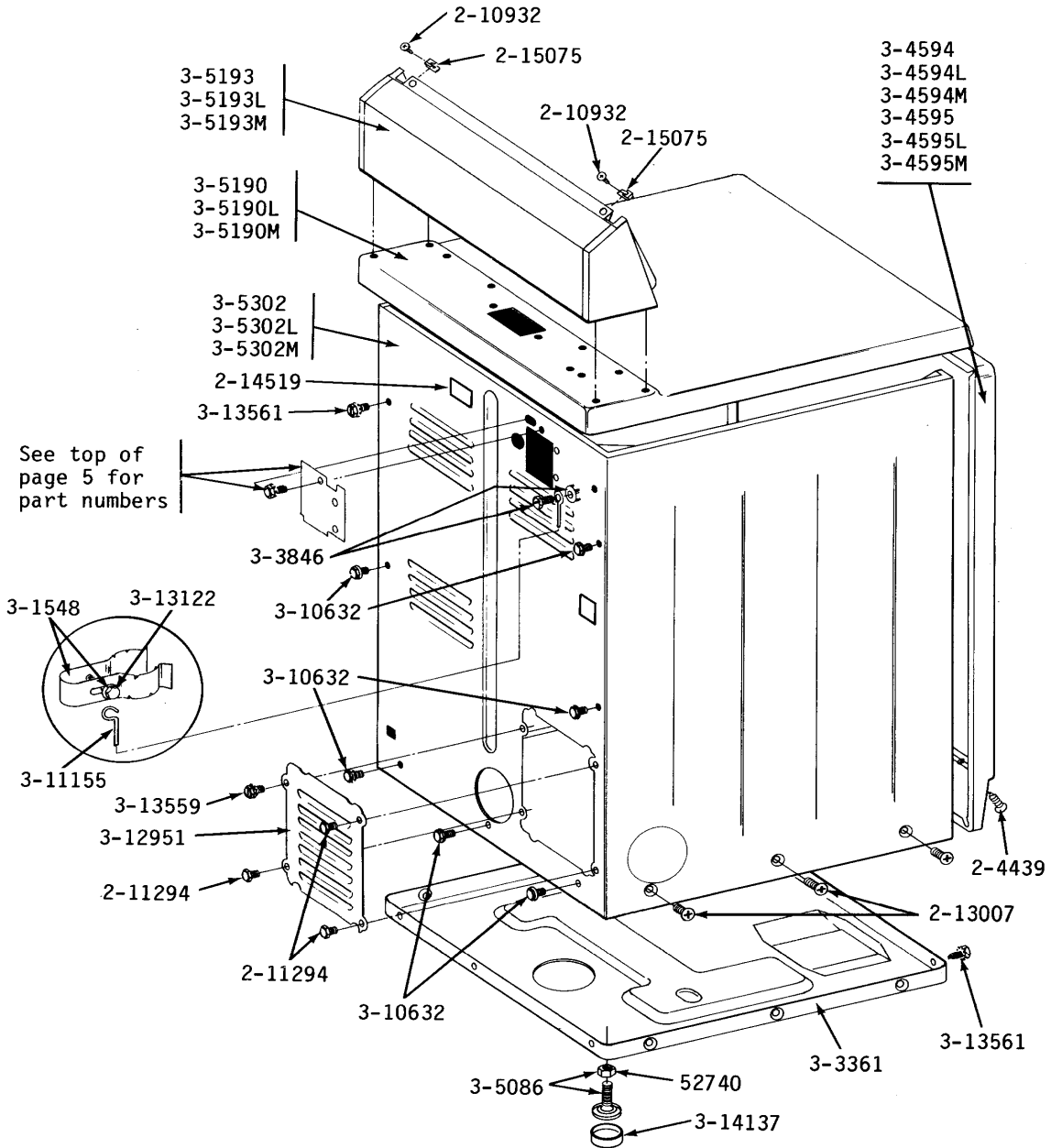
MODELS DE-DG110-210-410-510-610-710-810

FRONT VIEW



GDE610 P3

MODELS DE-DG110-210-410-510-610-710-810 **REAR VIEW**

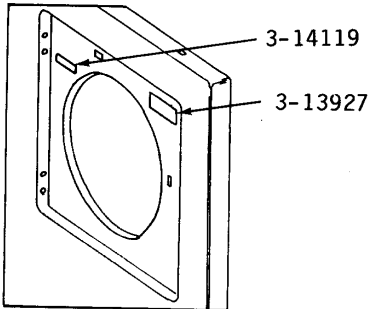


Section: FRONT PANEL & DOOR ASSEMBLY

GDE610 P4

MODELS DE-DG110-210-410-510-610-710-810

**FRONT PANEL & DOOR ASSEMBLY
ORIGINAL & SERIES 01**



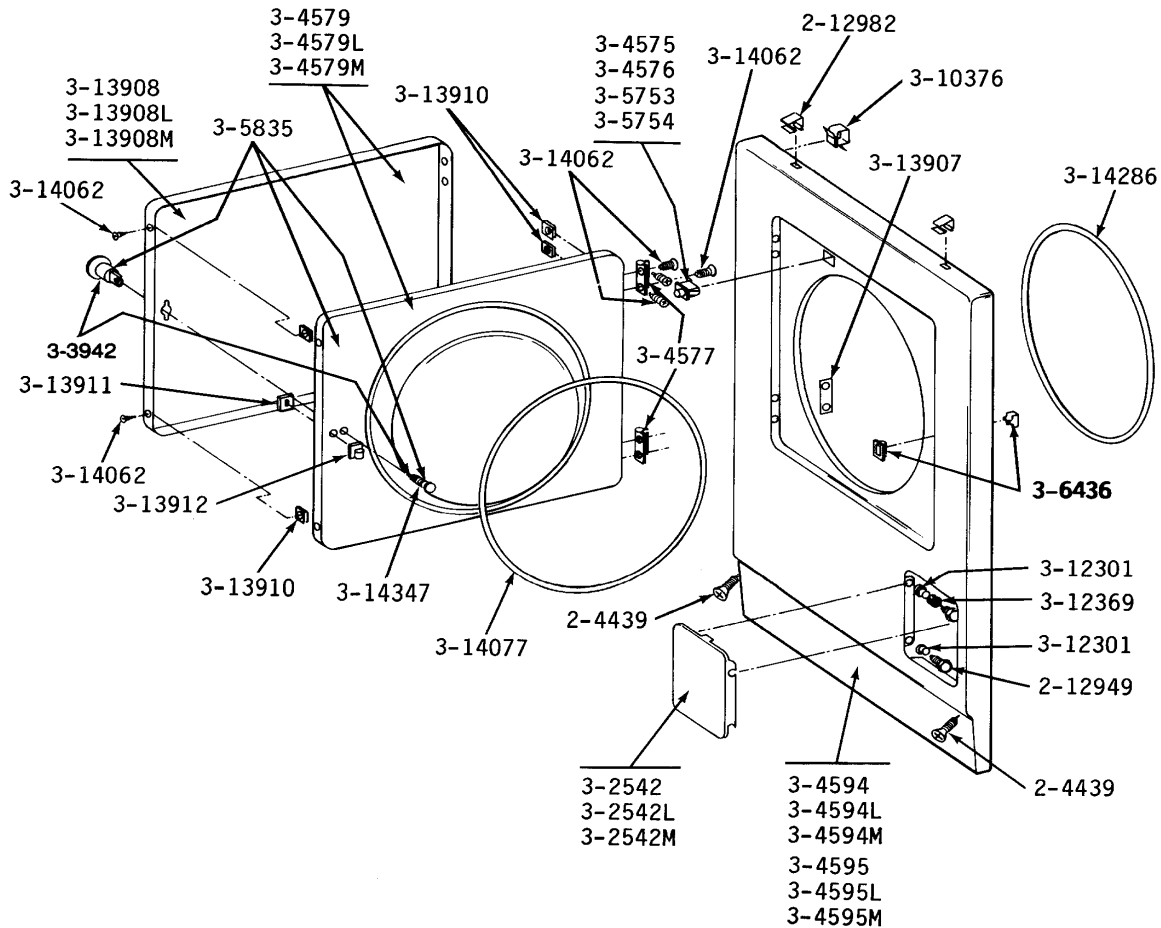
WARNING: TO AVOID HAZARD, INCLUDING SPONTANEOUS COMBUSTION DO NOT DRY ARTICLES CONTAINING FOAM RUBBER OR SIMILAR LY TESTED FURBISHED MATERIALS OR ANY MATERIAL ON WHICH YOU HAVE USED A CLEANING SOLVENT OR WHICH CONTAINS FLAMMABLE LIQUIDS OR SOLIDS (SUCH AS GASOLINE, KEROSENE, WAXES, ETC.).

CAUTION: DRY ONLY FABRICS CLEANED IN WATER. BE SURE TO CLEAN DRY FILTER BEFORE EACH LOAD. A CLOTHES DRYER PRODUCES COMBUSTIBLE LIGHT AND THE AREA AROUND THE CLOTHES DRYER SHOULD BE KEPT FREE OF OIL! THE DRYER SHOULD BE EXHAUSTED TO THE OUTSIDE.

THIS APPLIANCE IS EQUIPPED WITH AN INTERMITTENT TYPE IGNITION DEVICE.

3-13927

3-14119

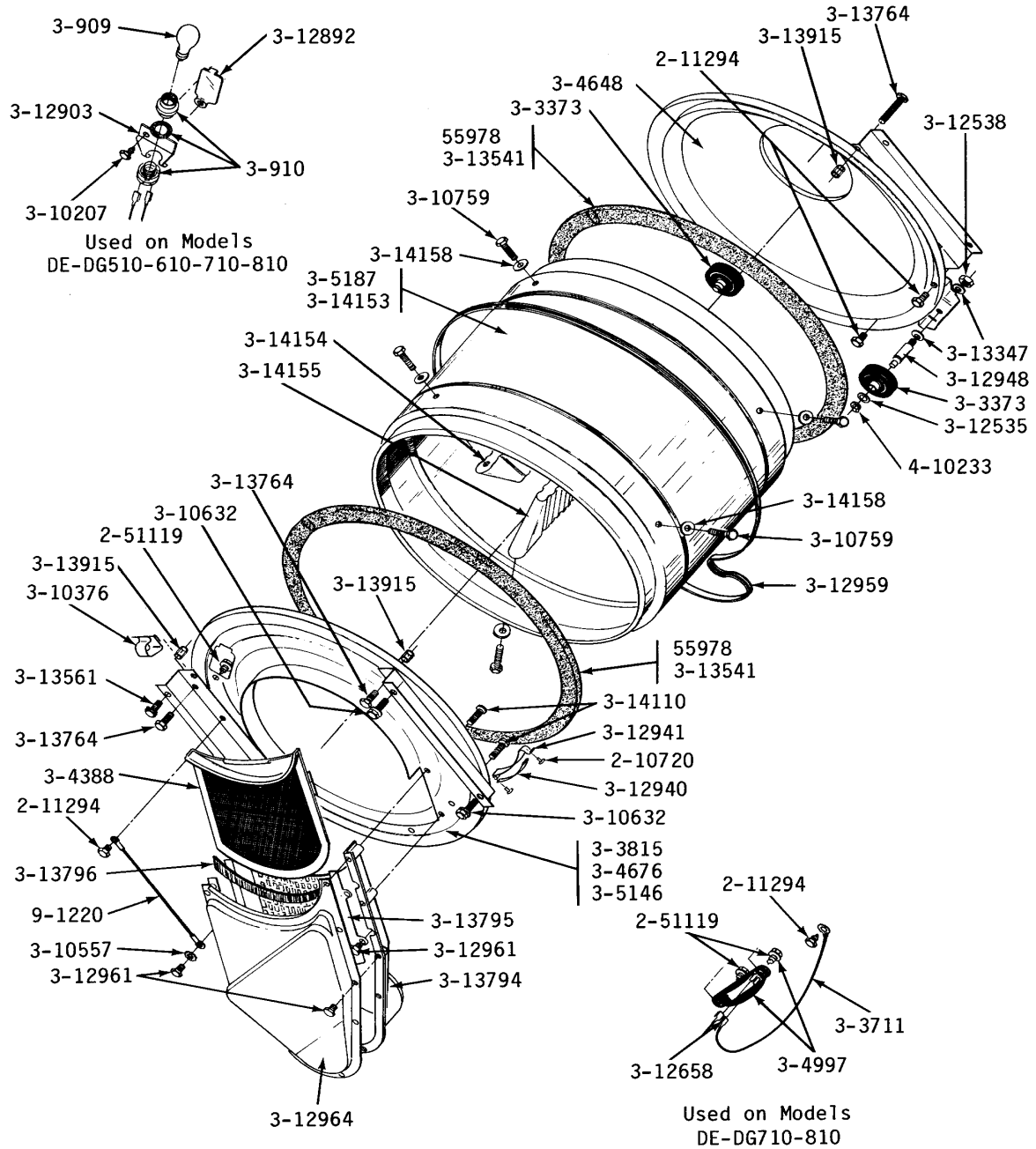


Section: LINT SCREEN, TUMBLER (FRONT & BACK)

GDE610 P5

MODELS DE-DG110-210-410-510-610-710-810

LINT SCREEN, TUMBLER, TUMBLER FRONT & TUMBLER BACK

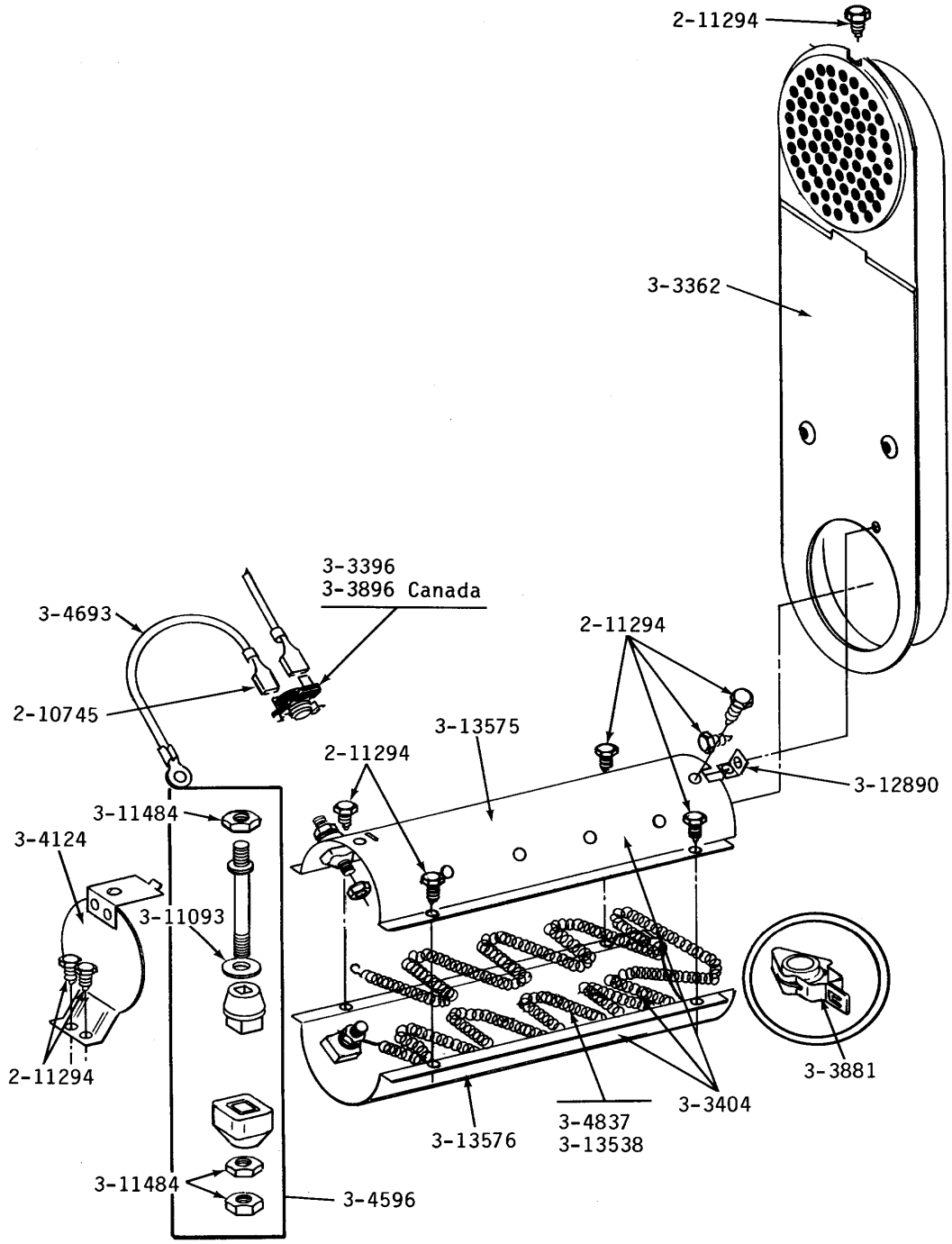


Section: INLET DUCT & HEATER ASSEMBLY

GDE610 P6

MODELS DE110-210-410-510-610-710-810

INLET DUCT & HEATER ASSEMBLY

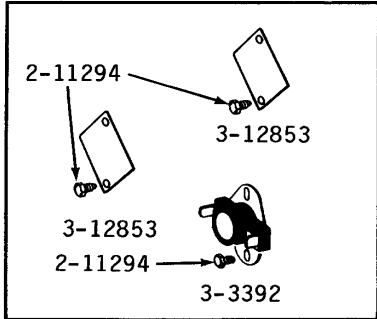


Section: MOTOR, BLOWER, BASE FRAME & THERMOSTATS

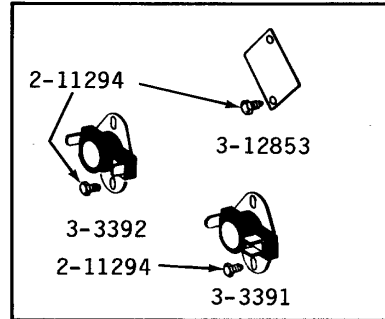
GDE610 P7

MODELS DE-DG110-210-410-510-610-710-810

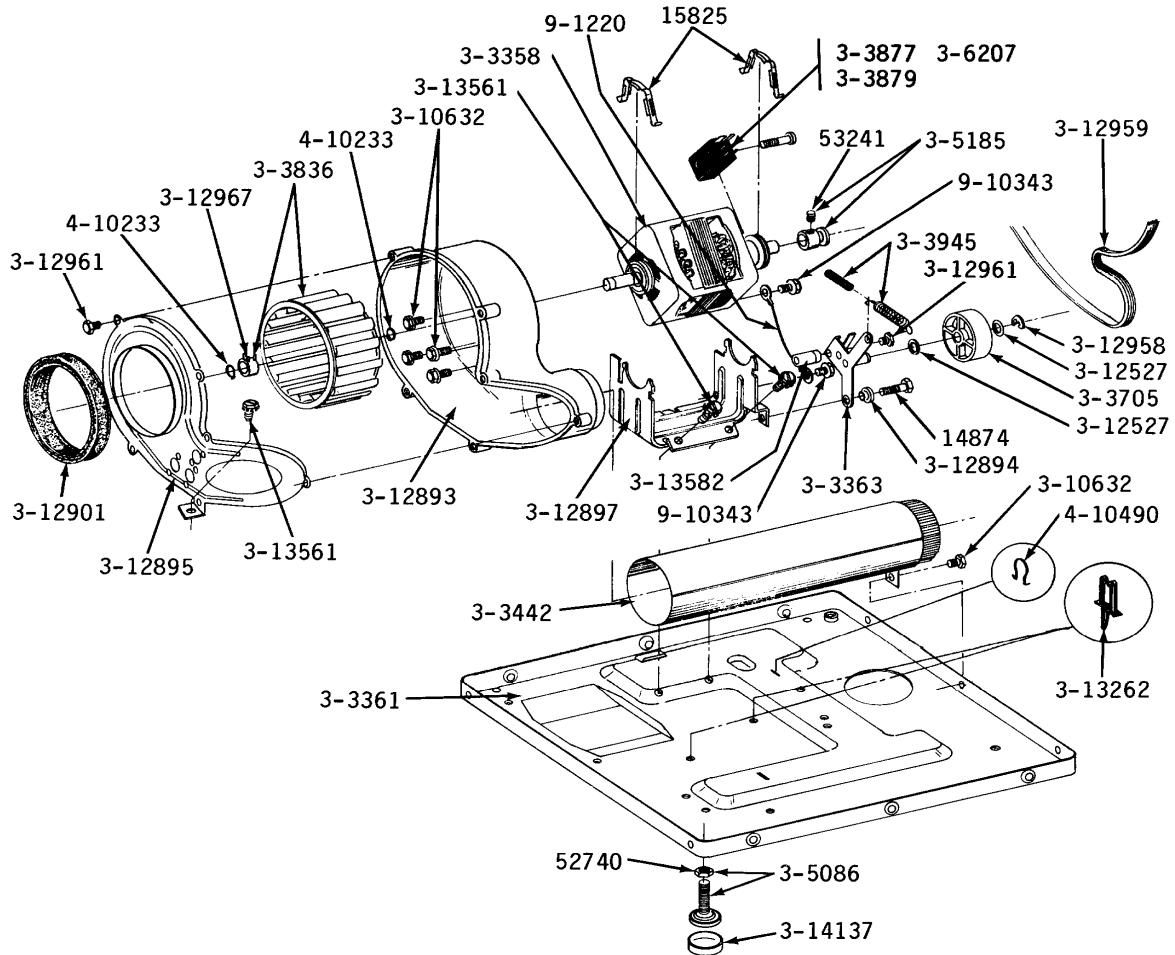
MOTOR, BLOWER, BASE FRAME & THERMOSTATS



MODEL DE-DG110
THERMOSTAT

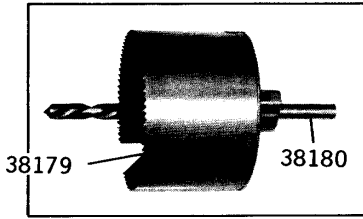


MODEL DE-DG210
THERMOSTATS



GDE610 P8

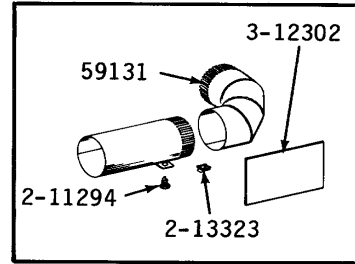
ALL MODELS INSTALLATION ACCESSORIES



38766



38767



3-4652

