

**Repair
Parts
List**

MODEL NUMBER
DG27CS

**DRYER
DG27 1**

When requesting service or ordering parts, always provide the following information:

- **Product Type**
- **Part Number**
- **Model Number**
- **Part Description**

MAYTAG®

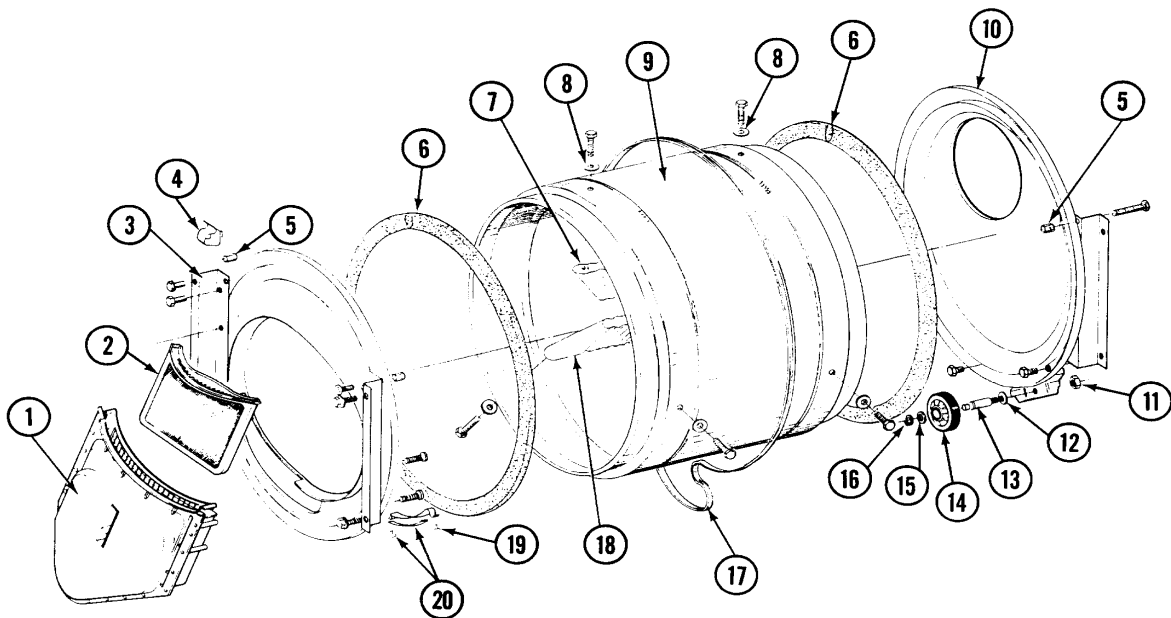
©2005 Maytag Services

Section: LINT SCREEN, TUMBLER (FRONT & BACK)

DG27 P1

SECTION: LINT SCREEN, TUMBLER, TUMBLER FRONT & BACK

MODEL: DE-DG27CA-CS-CT



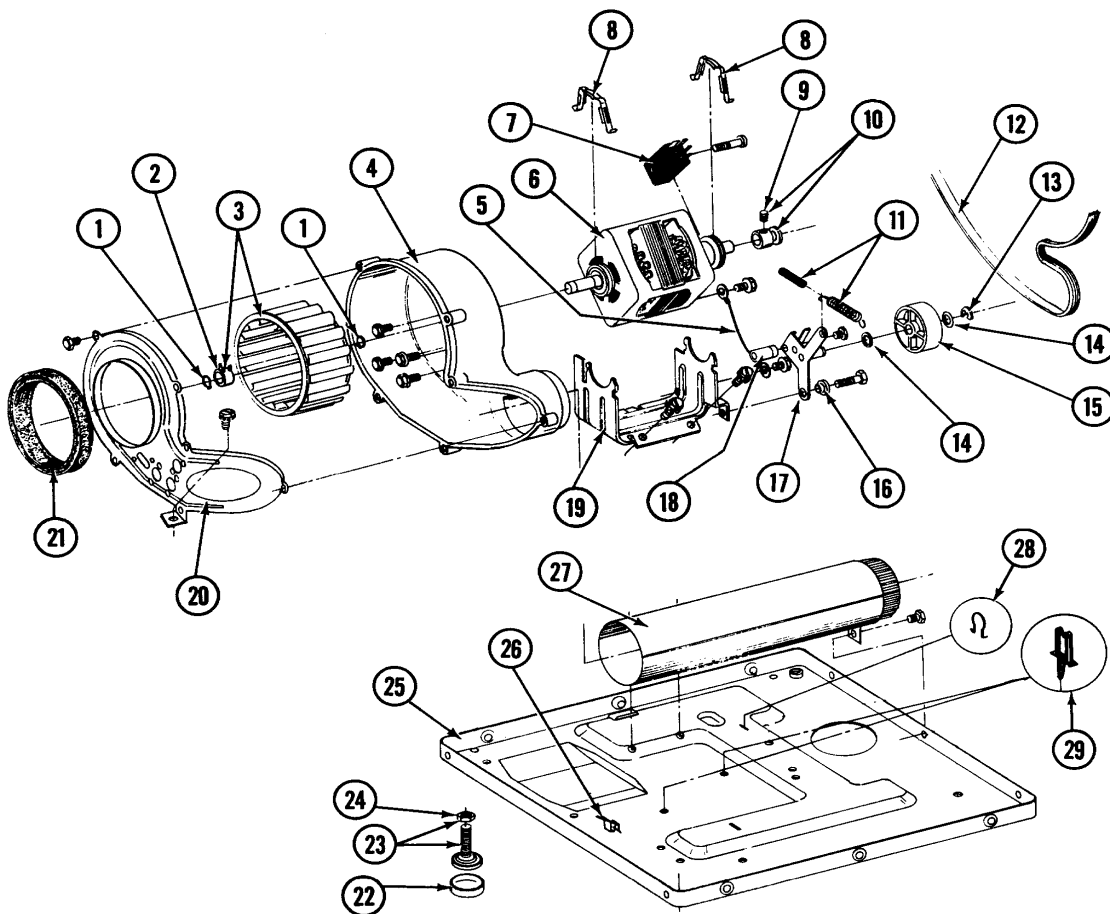
Issue Date: 10/90

Section: MOTOR, BLOWER & BASE FRAME

DG27 P2

SECTION: MOTOR, BLOWER & BASE FRAME

MODEL: DE-DG27CA-CS-CT



Section: THERMOSTATS

DG27 P3

SECTION: THERMOSTATS
MODEL: DE-DG27CA-CS-CT



①

Used on; DE-DG27CS



②

Used on; All
DE & DG Models



③

Used on; All
DE & DG Models



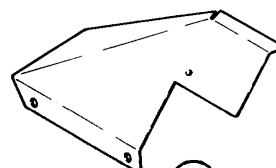
④

Used on; All
DG Models



⑤

Used on; All
DE Models



⑥

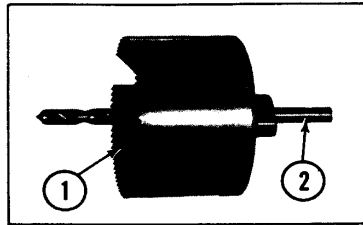
Used on; All
DE Models

Section: INSTALLATION ACCESSORIES

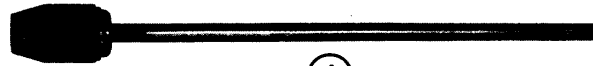
DG27 P4

SECTION: INSTALLATION ACCESSORIES

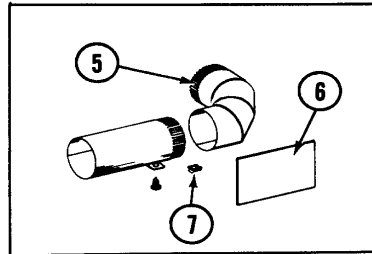
MODEL: ALL MODELS



3



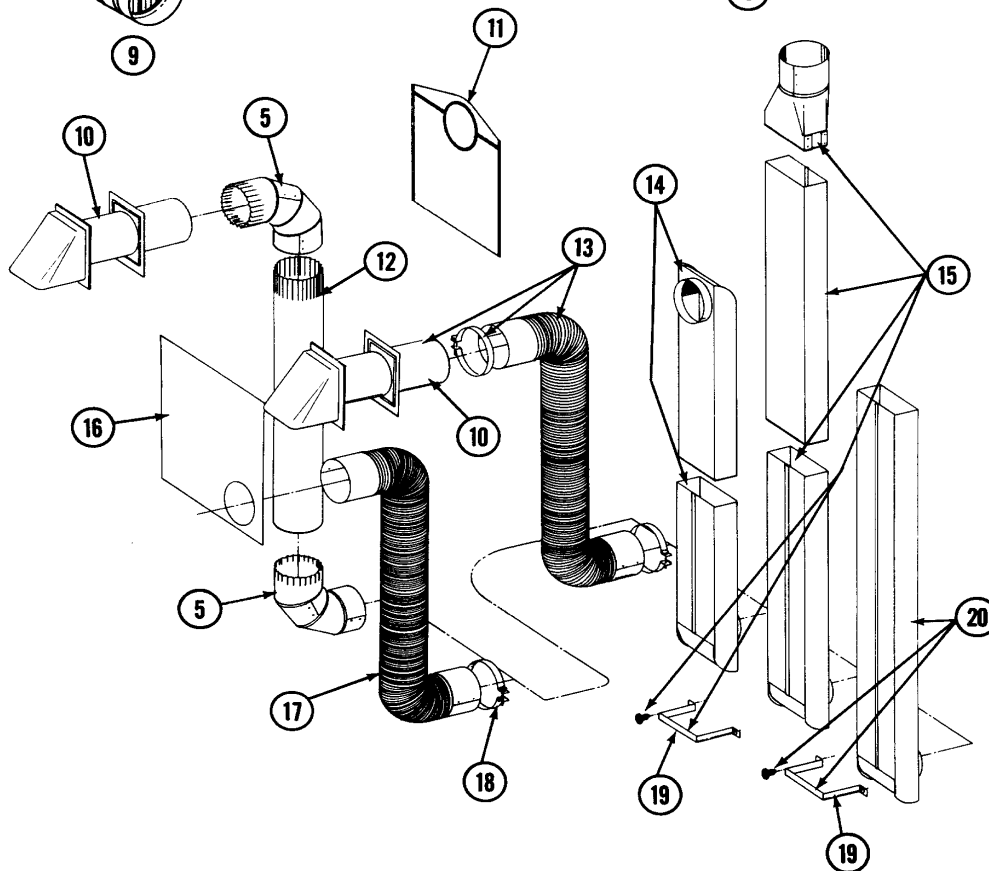
4



8



9



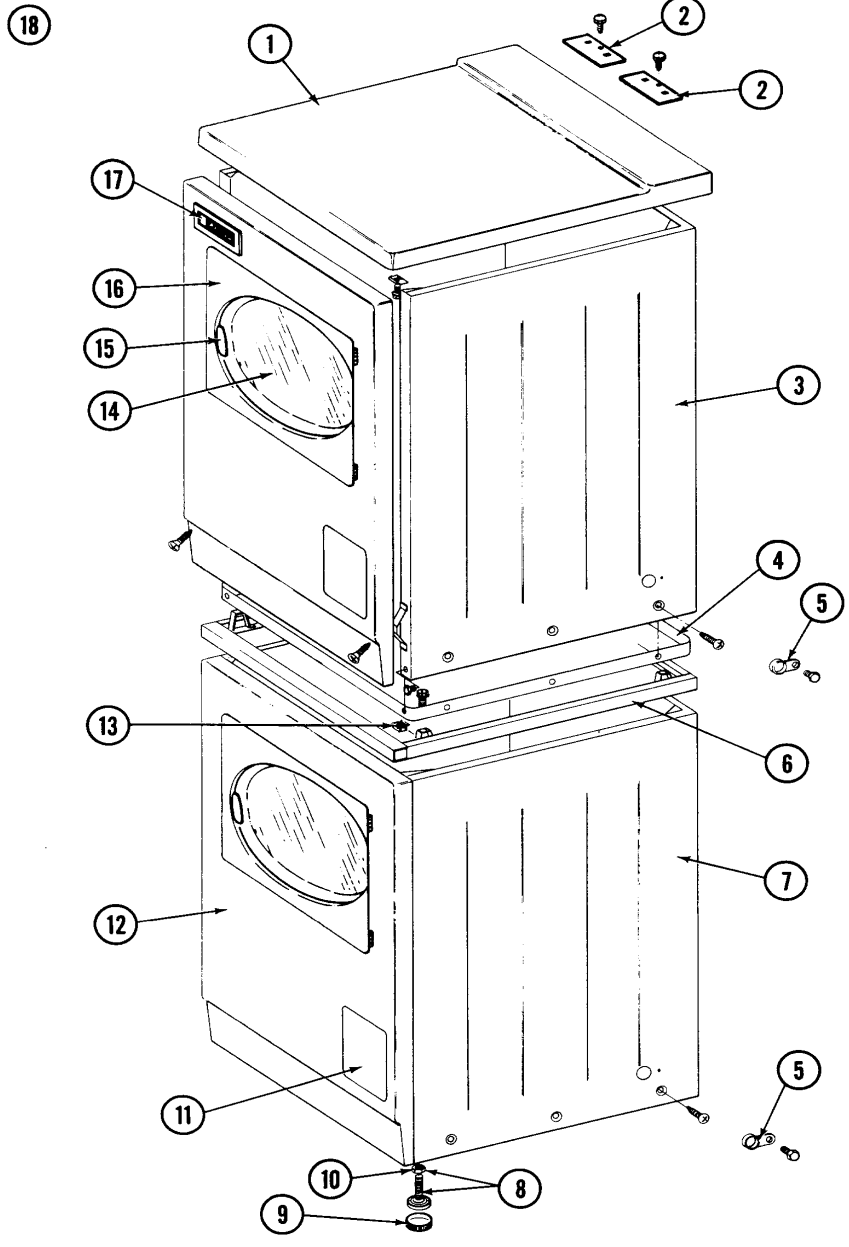
Issue Date: 10/90

Section: FRONT VIEW

DG27 P5

SECTION: FRONT VIEW
MODEL: DE-D627CS-CT

Spanish Label Kit

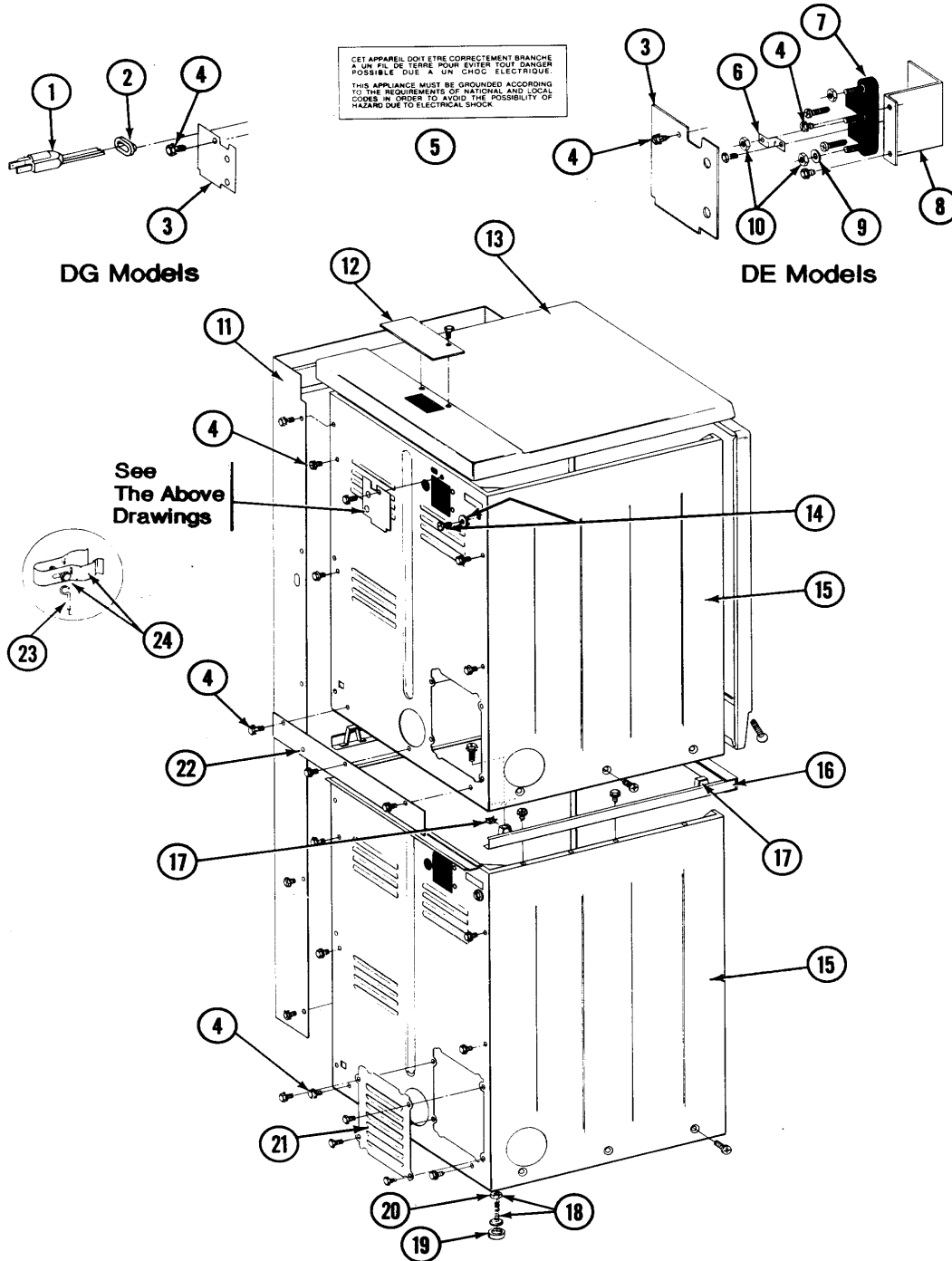


Issue Date: 10/90

Section: REAR VIEW

DG27 P6

SECTION: REAR VIEW
MODEL: DE-DG27CS-CT



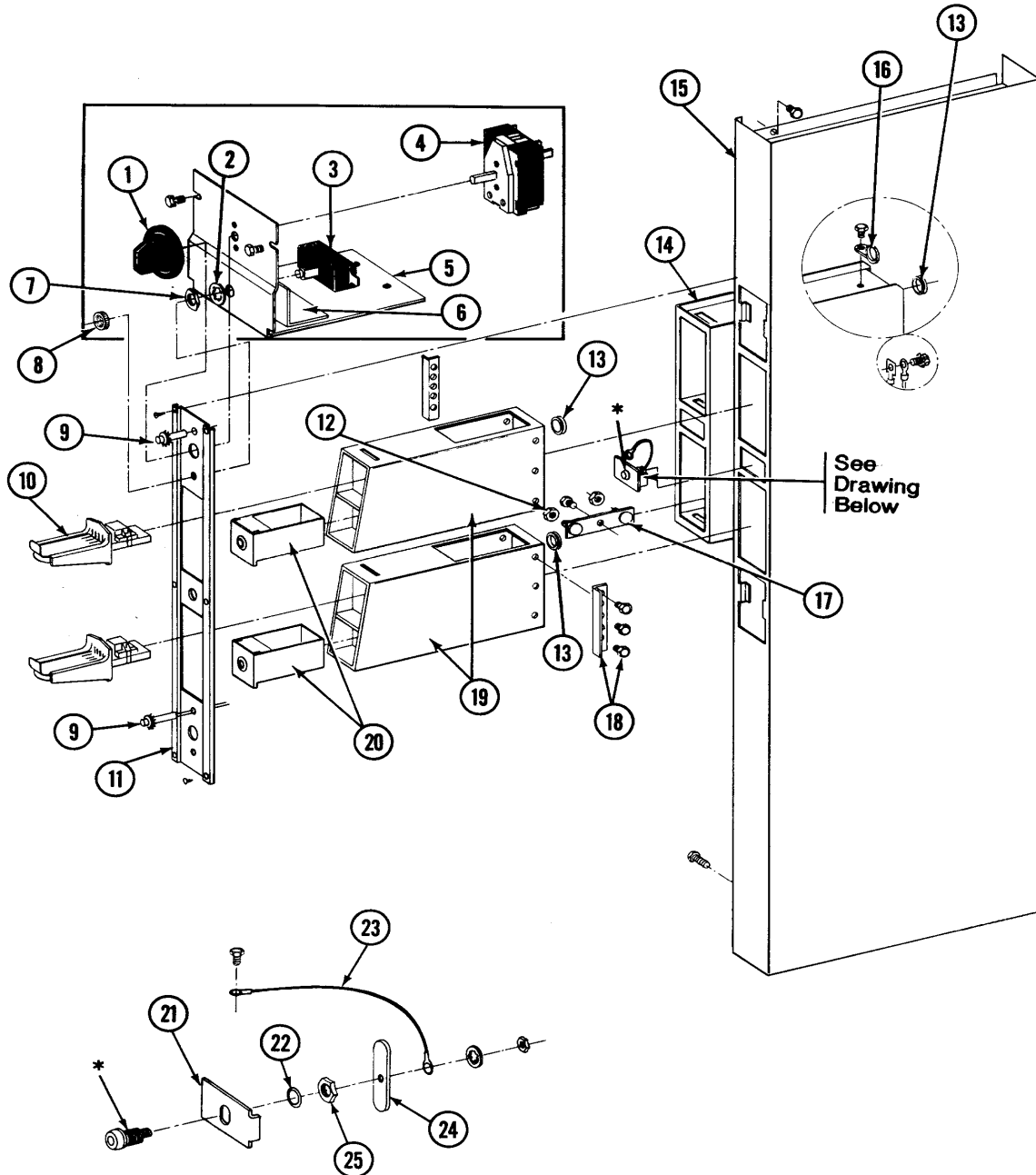
Issue Date: 10/90

Section: CONTROL CENTER SHROUD

DG27 P7

SECTION: CONTROL CENTER SHROUD

MODEL: DE-DG27CS



* Contact your Commercial Distributor for Locks & Keys

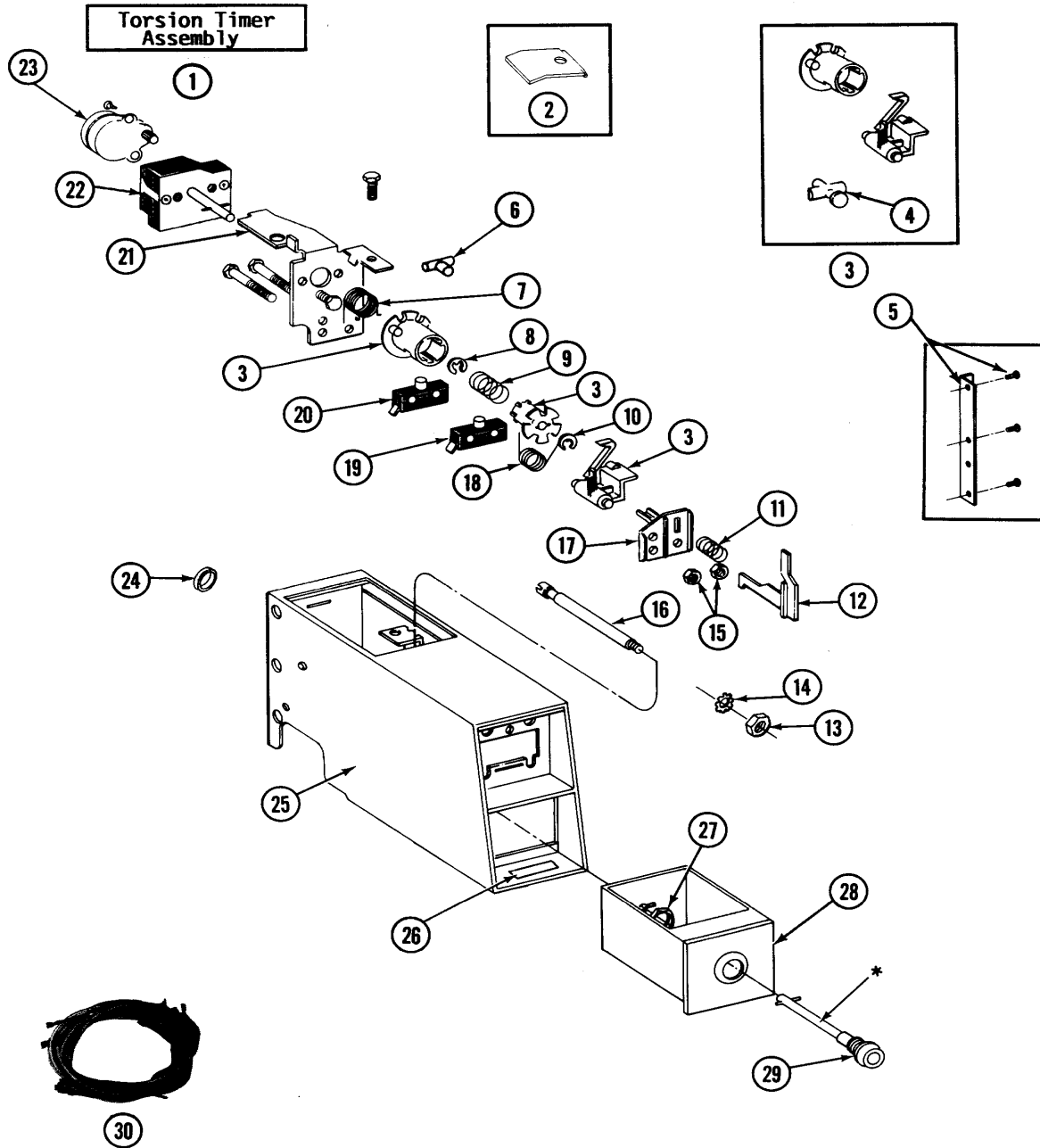
Issue Date: 10/90

Section: CONTROL CENTER

DG27 P8

SECTION: CS CONTROL CENTER

MODEL: DE-DG27CS



* Contact your Commercial Distributor for Locks & Keys

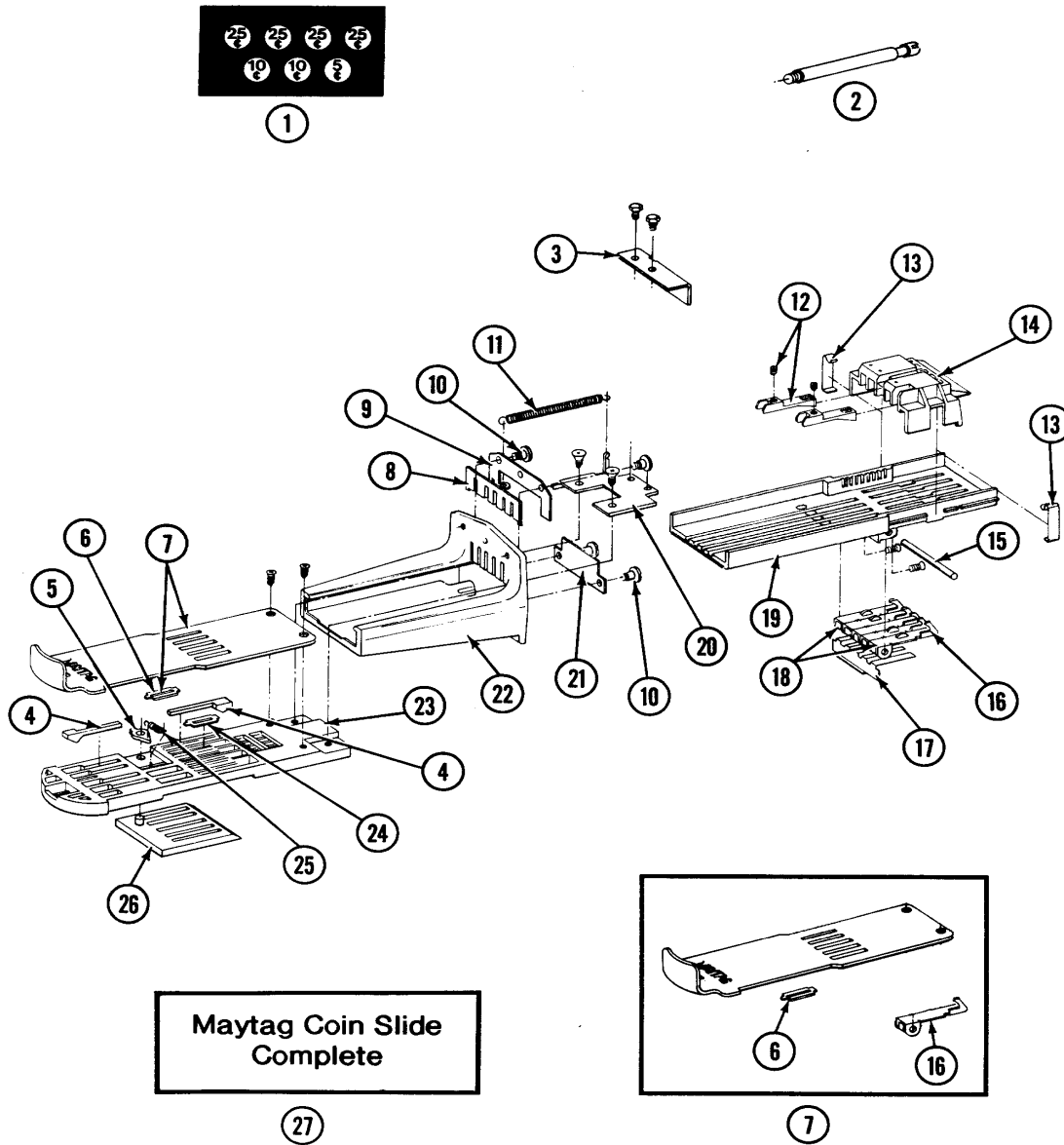
Issue Date: 10/90

Section: MAYTAG COIN SLIDE-ACCESSORY

DG27 P9

SECTION: MAYTAG COIN SLIDE - ACCESSORY

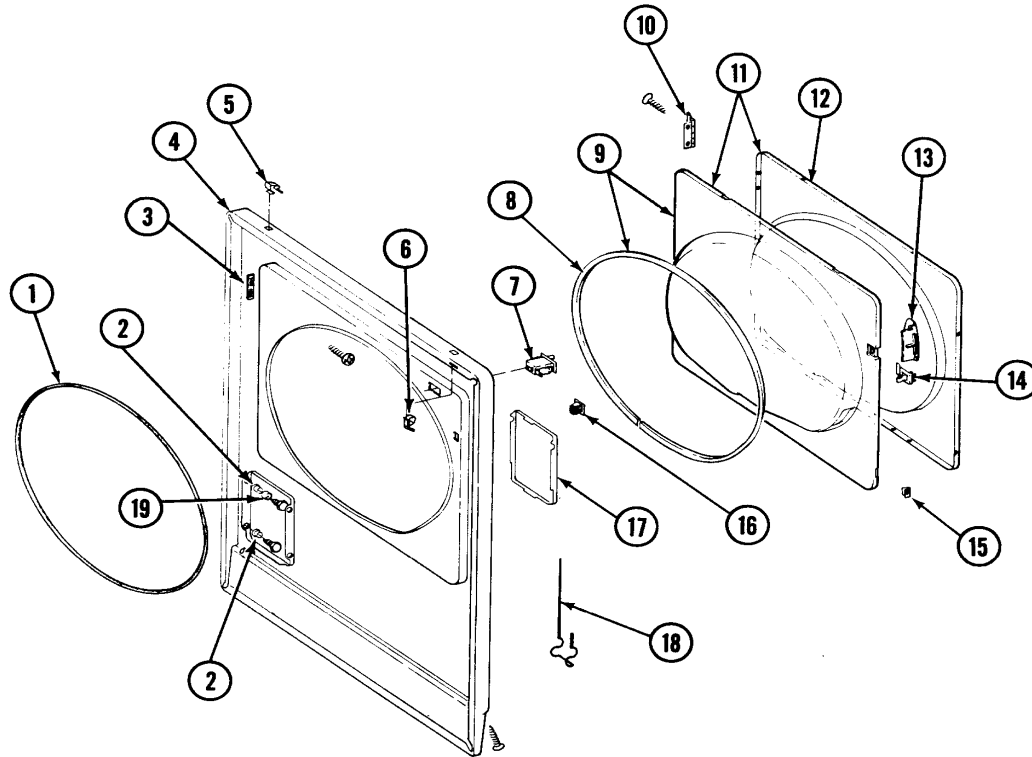
MODEL: DE-DG27CS



Section: FRONT PANEL & DOOR ASSEMBLY

DG27 P10

SECTION: FRONT PANEL & DOOR ASSEMBLY
 MODEL: DE-DG27CS-CT



YOU WILL NOT GET GOOD RESULTS UNLESS YOU CLEAN THE LINT SCREEN FIRST.

20

WARNING - TO AVOID FIRE HAZARD, INCLUDING SPONTANEOUS COMBUSTION DO NOT DRY ARTICLES CONTAINING FOAM RUBBER OR SIMILARLY TEXTURED RUBBER-LIKE MATERIALS OR ANY MATERIAL ON WHICH YOU HAVE USED A CLEANING SOLVENT OR WHICH CONTAINS FLAMMABLE LIQUIDS OR SOLIDS SUCH AS GASOLINE, KEROSENE, WAXES, ETC.

CAUTION - DRY ONLY FABRICS CLEANED IN WATER. BE SURE TO CLEAN LINT FILTER BEFORE EACH LOAD. A CLOTHES DRYER PRODUCES COMBUSTIBLE LINT AND THE AREA AROUND THE CLOTHES DRYER SHOULD BE KEPT FREE OF LINT. THIS DRYER MUST BE INSTALLED WITH AN EXHAUST VENT TO THE OUTDOORS.

ATTENTION - NE SÈCHER QUE DES TISSUS LAVÉS DANS L'EAU POUR ÉVITER TOUTE POSSIBILITÉ DE FEU OU D'INCENDIE PAR COMBUSTION SPONTANÉE. NE PAS SÈCHER DANS LA SÈCHEUSE DES ARTICLES CONTENANT DU CAOUTCHOUC - MOUSSE OU FORMES DE CAOUTCHOUC - MOUSSE UNE SÈCHEUSE À LINT PRODUIT DE LA MOUSSE COMBUSTIBLE ET IL EST RECOMMANDÉ DE GARDER LA ZONE DE LA SÈCHEUSE PROPRE ET DÉBARRASSÉE DE MOUSSE. ASSUREZ-VOUS DE NETTOYER LE FILTRE AVANT CHAQUE USAGE. L'INSTALLATION DE CETTE SÈCHEUSE DOIT COMPORTER UN ÉVÉNEMENT À L'EXTÉRIEUR.

21

WARNING - TO AVOID FIRE HAZARD, INCLUDING SPONTANEOUS COMBUSTION DO NOT DRY ARTICLES CONTAINING FOAM RUBBER OR SIMILARLY TEXTURED RUBBER-LIKE MATERIALS OR ANY MATERIAL ON WHICH YOU HAVE USED A CLEANING SOLVENT OR WHICH CONTAINS FLAMMABLE LIQUIDS OR SOLIDS (SUCH AS GASOLINE, KEROSENE, WAXES, ETC.)

CAUTION - DRY ONLY FABRICS CLEANED IN WATER. BE SURE TO CLEAN LINT FILTER BEFORE EACH LOAD. A CLOTHES DRYER PRODUCES COMBUSTIBLE LINT AND THE AREA AROUND THE CLOTHES DRYER SHOULD BE KEPT FREE OF LINT. THIS DRYER SHOULD BE EXHAUSTED TO THE OUTSIDE.

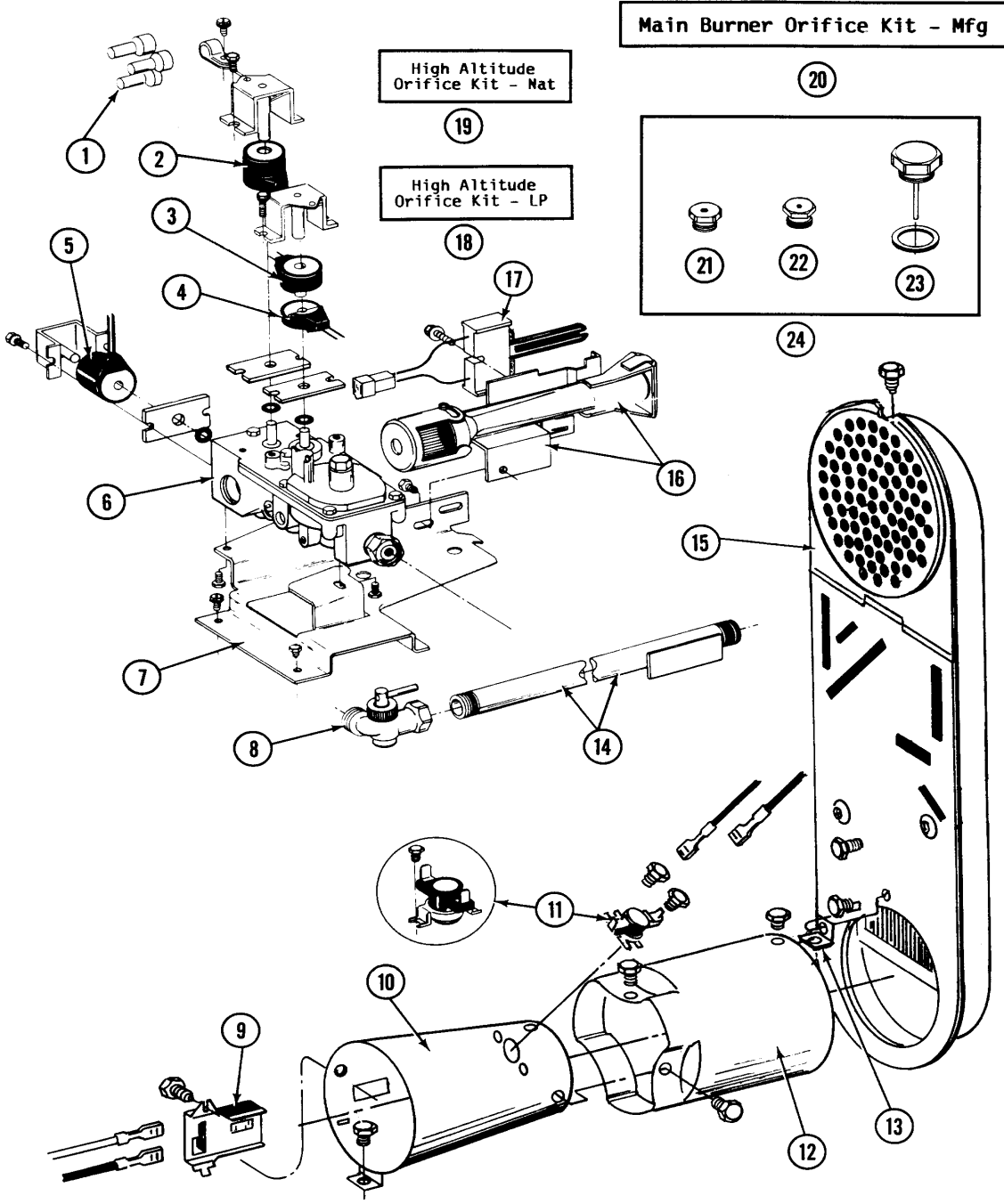
GAS DRYERS ONLY - EQUIPPED WITH AN INTERMITTENT TYPE IGNITION DEVICE.

22

Section: INLET DUCT, GAS VALVE & COMBUSTION CONE

DG27 P11

SECTION: INLET DUCT, GAS VALVE & COMBUSTION CONE
MODEL: DG MODELS



Issue Date: 10/90

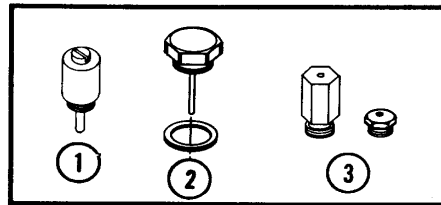
Section: 50HZ GAS VALVE

DG27 P12

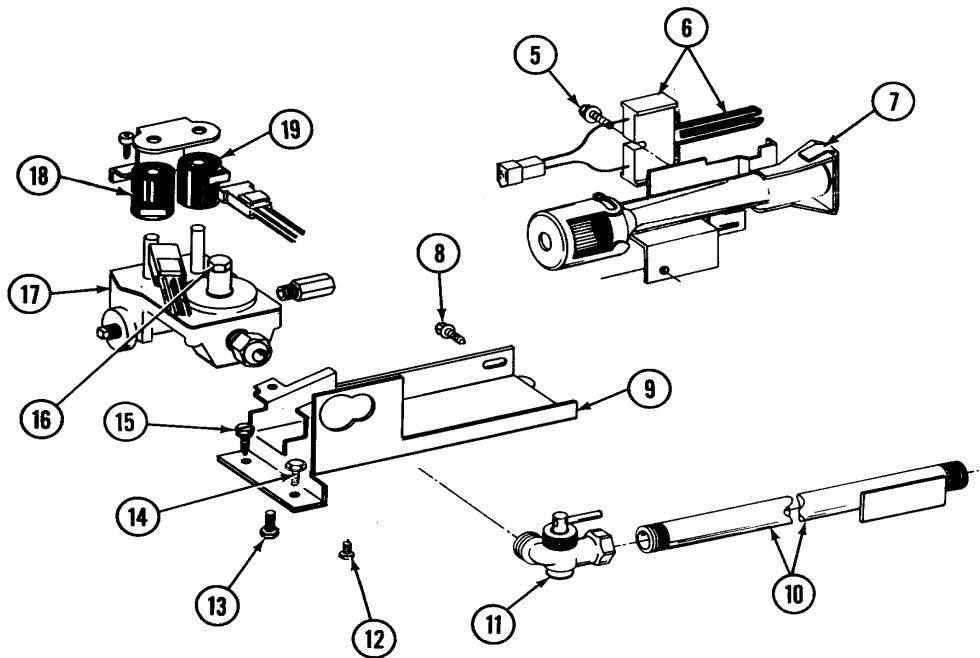
SECTION: 50HZ GAS VALVE

MODEL: DG27CA-CM

P/N 16000121R2



4



Issue Date: 10/90